

# PARTS LIST

[ MX-K3R ]

\* All printed circuit boards and its assemblies are not available as service parts.

Area suffix	
B -----	U.K.
E -----	Continental Europe
EN -----	Northern Europe
EV -----	Eastern Europe
EE -----	Russian

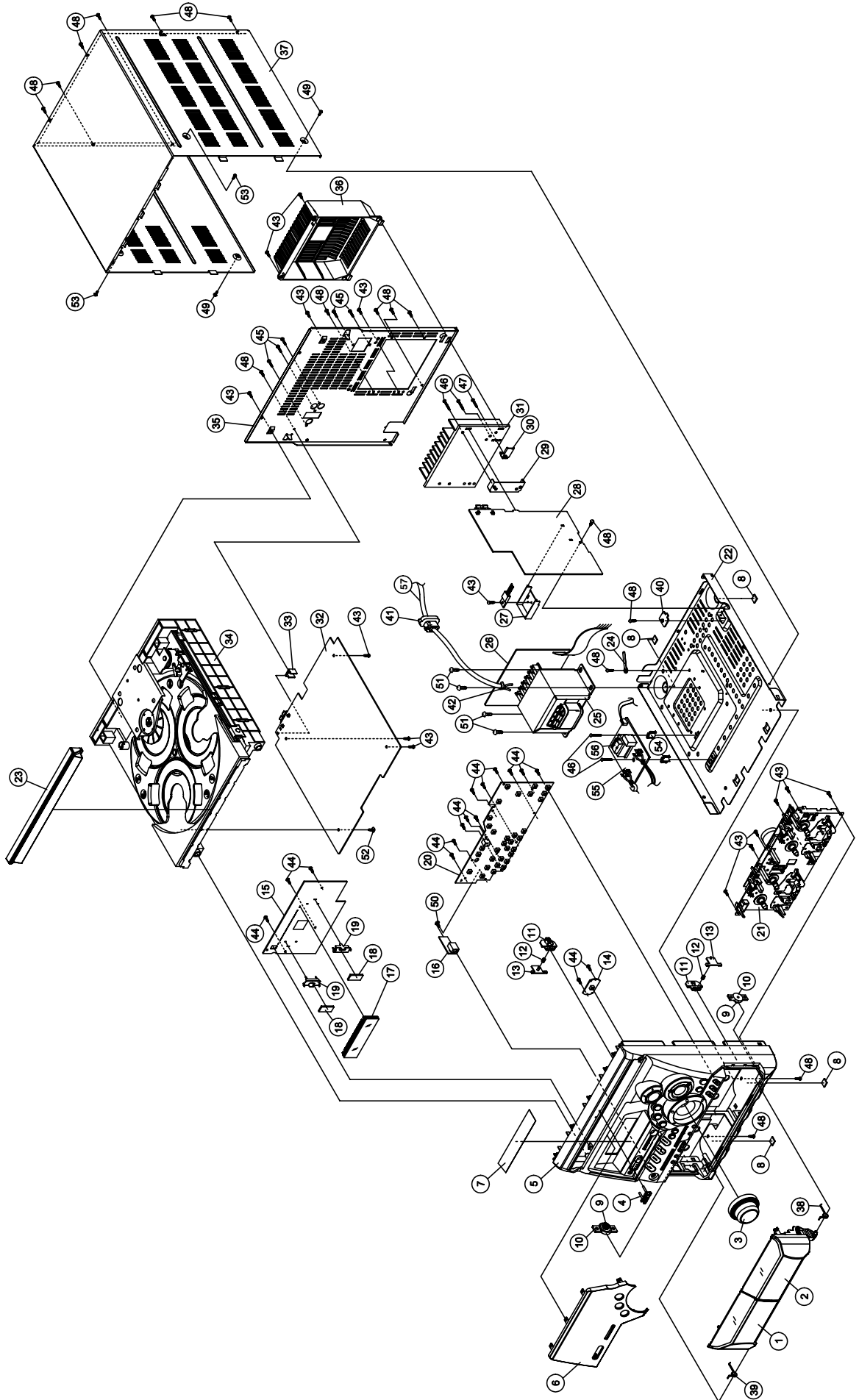
## - Contents -

Exploded view of general assembly and parts list .....	3-2
Cassette mechanism assembly and parts list .....	3-5
CD mechanism assembly and parts list .....	3-6
Electrical parts list .....	3-9
Packing materials and accessories parts list .....	3-21

# Exploded view of general assembly and parts list

Block No. M 1 M M M

5  
4  
3  
2  
1



**Parts list (General assembly)**

Block No. M1MM

△	Item	Parts number	Parts name	Q'ty	Description	Area
	1	GJA2031003001C	CASSETTE DOOR L	1		
	2	GJA2032001001C	CASSETTE DOOR R	1		
	3	GL4A05303001B0	KNOB	1	VOLUME	
	4	GJ460170330201	JVC LOGO	1		
	5	GJA2020060001C	FRONT CABINET	1		
	6	GJ4C05316002C0	LENS	1	DISPLAY	
	7	GJ772007940101	LABEL	1		
	8	GJ763000320106	FELT SHEET	4	10X10MM T=2MM	
	9	GJ660490020101	GEAR	2	DAMPER	
	10	GJ660490030101	GEAR BASE	2	DAMPER	
	11	GJ4D04048001A1	LOCK HOLDER	2		
	12	GJ422253701	SPRING	2	LOCK	
	13	GJ460400250101	HOLDER	2		
	14	-----	SWITCH BOARD 1	1	ASS'Y	
	15	-----	CONTROL BOARD	1	ASS'Y	
	16	-----	HEAD PHONE BOARD	1	ASS'Y	
	17	GJ373020041000	DISPLAY	1	BJ828GNK	
	18	GJ793000150001	SPONGY	2	8X20XT0.8 MM W	
	19	GJ560530400101	DISPLAY BRACKET	2	DISPLAY	
	20	-----	SWITCH BOARD 2	1		
	21	-----	CASSETTE MECHA	1	(CMAT6Z216A)HI-	
	22	GJ560530200101	BOTTOM CASE	1		
	23	GJ4B05315001E0	CD FITTING	1		
	24	GJ727450540503	SOLDER TAG	1	M4.5X54X0.5MM	
△	25	GJ336660170013	POWER TRANS	1	(EI-66)T951	
	26	-----	POWER SUPPLY BOARD	1	PCB ASS'Y	B
		-----	POWER SUPPLY BOARD	1		E EE EN EV
	27	GJ780000180100	HEAT SINK	1		
	28	-----	POWER AMP BOARD	1		
	29	GJ560400060201	BRACKET	1	IC	
	30	GJ560170110101	BRACKET B	1		
	31	GJ780000210202	HEAT SINK	1		
	32	-----	MAIN BOARD ASS'	1		
	33	GJ560170040101	BRACKET PCB	1		
	34	-----	CD CHANGER UNIT	1		
	35	GJ560530300101	REAR CASE	1		B E EN EV
		GJ560530300102	REAR CASE	1		EE
	36	GJ460400420101	HEAT SINK COVER	1		
	37	GJ560530100101	TOP CASE	1		
	38	GJ711001850101	SPRING	1	CASSETTE DOOR R	
	39	GJ711001840100	C. DOOR SPRING	1	CASSETTE DOOR L	
	40	GJ560170290101	BRACKET	1	OPENING	
	41	GJ796000030000	CORD BUSHING	1		
	42	GJ732000010101	POWERCORD BAND	1		
	43	GJ702244300810	SCREW	15	3X8 +BV TYPE P	
	44	GJ702244260810	SCREW	16	2.6X8 +BV TYPE	
	45	GJ702244301010	SCREW	5	3X10 +BV TYPE P	

**■ Parts list (General assembly)**

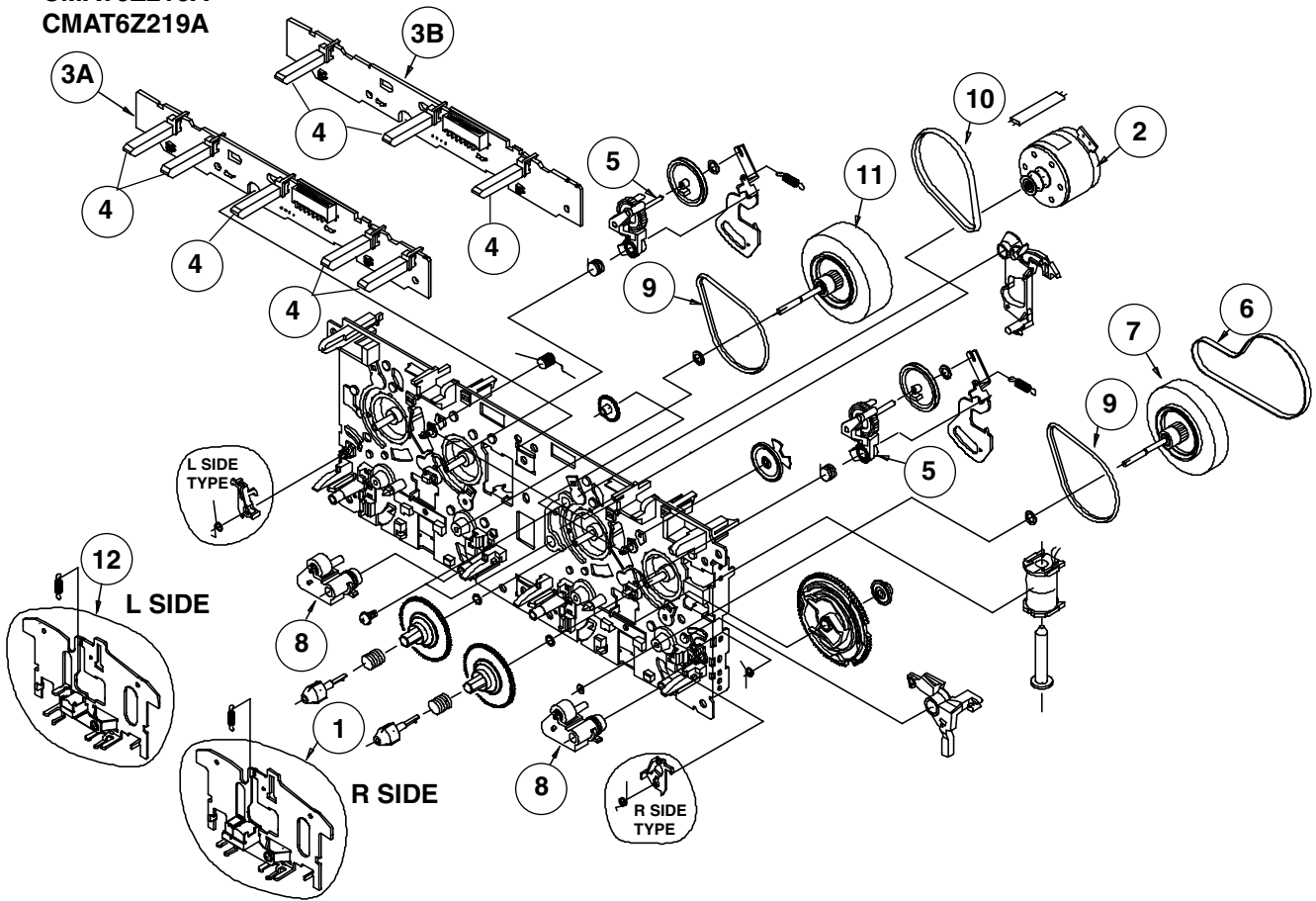
Block No. M1MM

⚠	Item	Parts number	Parts name	Q'ty	Description	Area
	46	GJ702244301810	SCREW	4	3X18 +BV TYPE P	
	47	GJ702244301410	SCREW	1	3X14 +BV TYPE	
	48	GJ702244300610	SCREW	16	3X6 +BV TYPE P	
	49	GJ702244300650	SCREW	2	3X6 +BV TYPE P	
	50	GJ703260800100	SPECIAL SCREW	1	SPTT 2.6X8 D10	
	51	GJ702264400610	SCREW	4	4X6 +PW=8 TYPE	
	52	GJ703300802000	SCREW	1	3X8 D=12 +BW ZI	
	53	GJ702244301050	SCREW	2	3X10 +BV TYPE P	
	54	GJ460490240101	MOUNTING POST	2		
	55	-----	SUB POWER PCB	1	ASS'Y	
⚠	56	GJ336280050113	TRANS FORMER	1	(EI-28)T981	
⚠	57	GJ350432052119	POWER CORD	1		

# Cassette mechanism assembly and parts list

Block No. M 2 M M

CMAT6Z216A  
CMAT6Z219A



Note: Parts listed on the Parts List below can be supplied. However, parts that are not listed below cannot be supplied individually but only by purchasing the whole Cassette Mechanism Assembly Unit. (When ordering, use the Parts No. CMAT6Z216A or CMAT6Z219A for Cassette Mechanism Assembly Unit.)

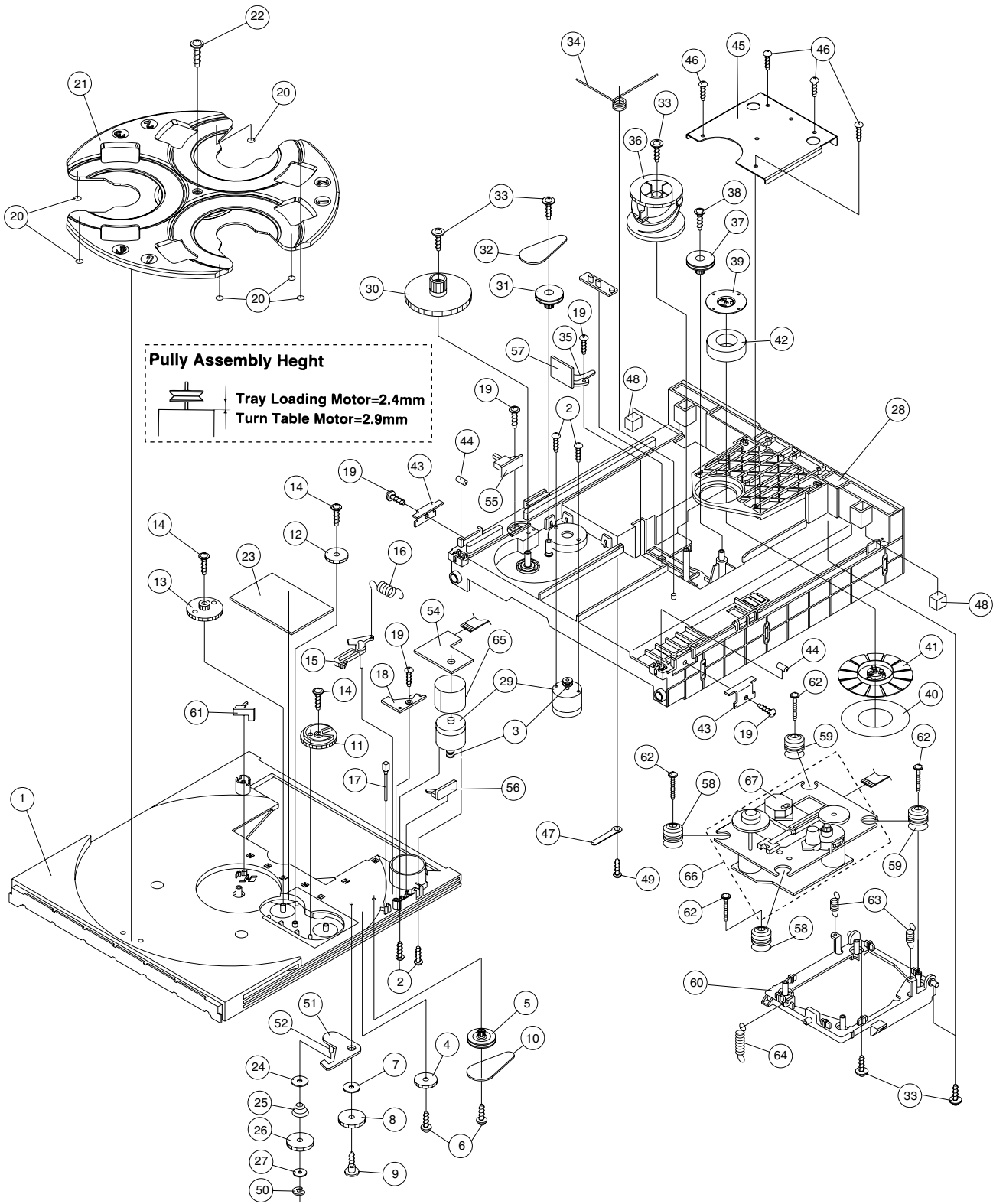
## Parts list (Cassette mechanism)

Block No. M2MM

⚠	Item	Parts number	Parts name	Q'ty	Description	Area
	1	F513-858	PLATE HD BLK	1		
	2	F525-338	MTR MAIN BLK	1		
	3A	-----	PCB CONTROL BLK	1	CMAT6Z216A	
	3B	-----	PCB CONTROL BLK	1	CMAT6Z219A	
	4	UE20P-12	LEAF SWITCH	5	CMAT6Z216A	
		UE20P-12	LEAF SWITCH	3	CMAT6Z219A	
	5	F522-063	CLUTCH ASSY BLK	2		
	6	FF19U-12	MAIN BELT	1		
	7	FR25P-11	ASSY F/W	1		
	8	F514-135	ROLLER PINCH BLK R	2		
	9	FF19S-31	F/R BELT MO	2		
	10	FF19N-11	MAIN BELT	1		
	11	FR25R-11	ASSY F/W	1		
	12	F513-855	PLATE HD BLK	1		

# CD changer mechanism assembly and parts list

Block No. M 3 M M



**Parts list (CD mechanism)**
**Block No. M3MM**

△	Item	Parts number	Parts name	Q'ty	Description	Area
	1	GJ4A0430201A1	TRAY	1		
	2	GJ701222260432	SCREW	4	M2.6 X 4	
	3	GJ4D01068100A1	MOTOR PULLEY	2	VE75984	
	4	GJ4D04300501A1	RELAY GEAR-A	1		
	5	GJ4D04301801A1	PULLEY GEAR	1		
	6	GJ700263260812	SCREW	2	2.6 X 8	
	7	GJ721271400500	METAL WASHER	1	2.7 X 14 X 0.5T	
	8	GJ4D04300601A1	RELAY GEAR-B	1		
	9	GJ703260000100	SCREW	1	SPECIAL	
	10	GJ560430010101	LOADING BELT	1		
	11	GJ4D04300901A1	TRAY LOCK GEAR	1		
	12	GJ4D04301001A1	RELAY GEAR-C	1		
	13	GJ4D04301101A1	TRAY GEAR	1		
	14	GJ700263260612	SCREW	3	2.6 X6	
	15	GJ4D04301301A2	S.S.W. LEVER	1	SENSOR	
	16	GJ711001630100	SPRING	1	SENSOR SWITCH	
	17	GJ460430220101	CUSHION RUBBER	1		
	18	GJ460430230101	GUIDE BRACKET	1	SENSOR SWICH	
	19	GJ70022320812	SCREW	5	2.6 X 8	
	20	GJ761000190100	CUSHION	6		
	21	GJ4A04300101A1	TURRETTO	1		
	22	GJ700263261042	SCREW	1	2.6 X 10 BLACK	
	23	GJ560430050101	BLIND SHEET	1		
	24	GJ729421400300	WASHER	1	4 X 14 X 0.3T	
	25	GJ711001620100	SPRING	1	CHANGER GEAR	
	26	GJ4D04300701A1	CHANGER GEAR	1		
	27	GJ721311000500	WASHER	1	3.1 X 10 X 0.5T	
	28	GJ4B04301201A2	MAINCHASSIS	1		
	29	GJ381020310004	MOTOR	2	TRAY MOTOR	
	30	GJ4L04301901A1	SLIDE GEAR	1		
	31	GJ4D04300401A1	GEAR PULLEY -A	1		
	32	GJ560430060101	GEAR BELT	1	LOADING	
	33	GJ703330800202	SCREW	5	3 X 8	
	34	GJ711001640100	SPRING	1	CAM BRACKET	
	35	GJ460430160101	SWITCH LEVER	1		
	36	GJ4D04301401A1	UD CAM GEAR	1		
	37	GJ4D04301501A1	UD REDUCE GEAR	1		
	38	GJ700264200812	SCREW	1	2 X 10	
	39	GJ793312711	CHUCKING YOKE	1		
	40	GJ763000440100	FELT	1	35 X 65 X 0.5T	
	41	GJ4A04301703A1	CLAMPER	1		
	42	GJ383000040100	MAGNET	1		
	43	GJ560430070101	RAIL GUIDE	2		
	44	GJ4D04302001A1	ROLLER	2		
	45	GJ560430100101	M.C. BRACKET	1	MAIN SHASSIS	
	46	GJ700221300510	SCREW	4	3 X 5	
	47	GJ560430110101	EARTH TERMINAL	1		
	48	GJ761000220100	CUSHION	2	12 X 8 X 5T	

**Parts list (Cassette mechanism)**

Block No. M3MM

△	Item	Parts number	Parts name	Q'ty	Description	Area
	49	GJ768564711	SCREW	1	3 X 10	
	50	GJ560430090101	E RING	1		
	51	GJA2039002001A	CHANGE PLATE	1		
	52	GJ560430030101	C. GEAR SHAFT	1		
	54	-----	SWITCH PWB	1	TURN TABLE	
	55	-----	SWITCH PWB	1	TRAY SWITCH	
	56	-----	SWITCH PWB	1	DISC COUNT	
	57	-----	SWITCH PWB	1	PICK-UP	
	58	GJ302237001	RUBBER CUSHION	1		
	59	GJ302237011	RUBBER CUSHION	1		
	60	GJ4004302101A1	MECHA BASE	1		
	61	GJ390170021204	SWITCH DIRECT	1		
	62	GJ700264261840	SCREW	1		
	63	GJ711001650100	SPRING	1		
	64	GJ711001660100	SPRING	1		
	65	GJ560533800101	SHIELD RING	1		
	66	EXL-M71-03	CD MECHA UNIT	1		
	67	OPTIMA-7B	PICK UP ASS'Y	1		



## ■ Electrical parts list (Main board)

Block No. 01

△	Item	Parts number	Parts name	Remarks	Area	△	Item	Parts number	Parts name	Remarks	Area
	C 1	GJ264372232199	C. CAPACITOR	50V F Z 0.022UF			C 86	GJ270111070399	E. CAPACITOR	10V M 100UF	
	C 2	GJ116223621	C CAPACITOR	50V CH J 15PF			C 87	GJ270192250399	E. CAPACITOR	50V VX M 2.2UF	
	C 3	GJ270111070399	E. CAPACITOR	10V M 100UF			C 88	GJ264372232199	C. CAPACITOR	50V F Z 0.022U	
	C 4	GJ111067121	C.CAPACITOR	47000PF F Z 50V			C 89	GJ264372232199	C. CAPACITOR	50V F Z 0.022U	
	C 5	GJ264271032199	C. CAPACITOR	16V Y M 0.01UF			C 90	GJ270111070399	E. CAPACITOR	10V M 100UF	
	C 6	GJ111067121	C.CAPACITOR	47000PF F Z 50V			C 91	GJ264145612199	C.CAPACITOR	50V B K 560PF	
	C 7	GJ116223421	C CAPACITOR	50V CH J 12PF			C 92	GJ264141022199	C. CAPACITOR	50V B K 1000PF	
	C 8	GJ264143912199	C.CAPACITOR	50V B K 390PF			C 93	GJ264141022199	C. CAPACITOR	50V B K 1000PF	
	C 9	GJ264271032199	C. CAPACITOR	16V Y M 0.01UF			C 102	GJ270191050399	E. CAPACITOR	50V VX M 1UF	
	C 10	GJ116223421	C CAPACITOR	50V CH J 12PF			C 103	GJ270191050399	E. CAPACITOR	50V VX M 1UF	
	C 11	GJ270111070399	E. CAPACITOR	10V M 100UF			C 104	GJ270191050399	E. CAPACITOR	50V VX M 1UF	
	C 12	GJ264271032199	C. CAPACITOR	16V Y M 0.01UF			C 105	GJ270191050399	E. CAPACITOR	50V VX M 1UF	
	C 13	GJ264372232199	C. CAPACITOR	50V F Z 0.022U			C 106	GJ270144750399	E. CAPACITOR	25V VX M 4.7UF	
	C 14	GJ116222921	C CAPACITOR	50V CH J 5.6PF			C 108	GJ270144750399	E. CAPACITOR	25V VX M 4.7UF	
	C 15	GJ116223821	C CAPACITOR	50V CH J 18PF			C 109	GJ270144750399	E. CAPACITOR	25V VX M 4.7UF	
	C 17	GJ270193350399	E. CAPACITOR	50V VX M 3.3UF			C 110	GJ283108232415	P.CAPACITOR	50V K 0.082UF	
	C 18	GJ116219921	C CAPACITOR	50V SL J 10PF			C 111	GJ283108232415	P.CAPACITOR	50V K 0.082UF	
	C 19	GJ264372232199	C. CAPACITOR	50V F Z 0.022U			C 112	GJ283105622415	P.CAPACITOR	50V K 0.0056U	
	C 20	GJ270111070399	E. CAPACITOR	10V M 100UF			C 113	GJ283101242415	M.CAPACITOR	50V K 0.12UF	
	C 21	GJ264372232199	C. CAPACITOR	50V F Z 0.022U			C 114	GJ283101042415	M.CAPACITOR	50V K 0.1UF	
	C 22	GJ270114760399	E. CAPACITOR	10V M 47UF			C 115	GJ270111070399	E. CAPACITOR	10V M 100UF	
	C 23	GJ270191050399	E. CAPACITOR	50V VX M 1UF			C 116	GJ270191050399	E. CAPACITOR	50V VX M 1UF	
	C 24	GJ270194740399	E. CAPACITOR	50V VX M 0.47UF			C 202	GJ270191050399	E. CAPACITOR	50V VX M 1UF	
	C 25	GJ270191050399	E. CAPACITOR	50V VX M 1UF			C 203	GJ270191050399	E. CAPACITOR	50V VX M 1UF	
	C 26	GJ264141022199	C. CAPACITOR	50V B K 1000PF			C 204	GJ270191050399	E. CAPACITOR	50V VX M 1UF	
	C 27	GJ264372232199	C. CAPACITOR	50V F Z 0.022U			C 205	GJ270191050399	E. CAPACITOR	50V VX M 1UF	
	C 28	GJ264141022199	C. CAPACITOR	50V B K 1000PF			C 206	GJ270144750399	E. CAPACITOR	25V VX M 4.7UF	
	C 29	GJ270144750399	E. CAPACITOR	25V VX M 4.7UF			C 208	GJ270144750399	E. CAPACITOR	25V VX M 4.7UF	
	C 30	GJ264271032199	C. CAPACITOR	16V Y M 0.01UF			C 209	GJ270144750399	E. CAPACITOR	25V VX M 4.7UF	
	C 31	GJ270141060399	E. CAPACITOR	25V VX M 10UF			C 210	GJ283108232415	P.CAPACITOR	50V K 0.082UF	
	C 32	GJ262671042499	C. CAPACITOR	16V Y F Z 0.1M			C 211	GJ283108232415	P.CAPACITOR	50V K 0.082UF	
	C 33	GJ264264722199	C.CAPACITOR	16V X M 0.0047U			C 212	GJ283105622415	P.CAPACITOR	50V K 0.0056UF	
	C 34	GJ264271032199	C. CAPACITOR	16V Y M 0.01UF			C 213	GJ283101242415	M.CAPACITOR	50V K 0.12UF	
	C 35	GJ283102232415	P.CAPACITOR	50V K 0.022UF			C 214	GJ283101042415	M.CAPACITOR	50V K 0.1UF	
	C 36	GJ283102232415	P.CAPACITOR	50V K 0.022UF			C 215	GJ270111070399	E. CAPACITOR	10V M 100UF	
	C 37	GJ270192250399	E. CAPACITOR	50V VX M 2.2UF			C 216	GJ270191050399	E. CAPACITOR	50V VX M 1UF	
	C 38	GJ270192250399	E. CAPACITOR	50V VX M 2.2UF			C 301	GJ264141022199	C. CAPACITOR	50V B K 1000PF	
	C 39	GJ264262222199	C. CAPACITOR	16V X M 0.0022			C 303	GJ270192250399	E. CAPACITOR	50V VX M 2.2UF	
	C 40	GJ264262222199	C. CAPACITOR	16V X M 0.0022U			C 304	GJ264141022199	C. CAPACITOR	50V B K 1000PF	
	C 41	GJ264271032199	C. CAPACITOR	16V Y M 0.01UF			C 305	GJ270121070399	E. CAPACITOR	16V VX M 100UF	
	C 42	GJ264372232199	C. CAPACITOR	50V F Z 0.022U			C 306	GJ270114760399	E. CAPACITOR	10V M 47UF	
	C 43	GJ270124760399	E. CAPACITOR	16V M 47UF			C 307	GJ116229321	C CAPACITOR	50V B K 820PF	
	C 44	GJ264271032199	C. CAPACITOR	16V Y M 0.01UF			C 308	GJ283101532415	M.CAPACITOR	50V K 0.015UF	
	C 45	GJ270122260399	E. CAPACITOR	16V M 22UF			C 309	GJ264271032199	C. CAPACITOR	16V Y M 0.01UF	
	C 51	GJ116223421	C CAPACITOR	50V CH J 12PF			C 310	GJ270121070399	E. CAPACITOR	16V VX M 100UF	
	C 52	GJ116223421	C CAPACITOR	50V CH J 12PF			C 311	GJ282031032499	M.CAPACITOR	50V J 0.01UF T	
	C 53	GJ270124760399	E. CAPACITOR	16V M 47UF			C 313	GJ264271032199	C. CAPACITOR	16V Y M 0.01UF	
	C 54	GJ282031052499	M.CAPACITOR	50V J 1UF			C 314	GJ264271032199	C. CAPACITOR	16V Y M 0.01UF	
	C 55	GJ283103922415	M.CAPACITOR	50V K 0.0039UF			C 315	GJ264271032199	C. CAPACITOR	16V Y M 0.01UF	
	C 56	GJ264141022199	C. CAPACITOR	50V B K 1000PF			C 316	GJ264271032199	C. CAPACITOR	16V Y M 0.01UF	
	C 57	GJ264271032199	C. CAPACITOR	16V Y M 0.01UF			C 317	GJ270121070399	E. CAPACITOR	16V VX M 100UF	
	C 58	GJ264141022199	C. CAPACITOR	50V B K 1000PF			C 318	GJ270144750399	E. CAPACITOR	25V VX M 4.7UF	
	C 59	GJ270111070399	E. CAPACITOR	10V M 100UF			C 319	GJ270121080199	E. CAPACITOR	16V M 1000UF	
	C 60	GJ264271032199	C. CAPACITOR	16V Y M 0.01UF			C 320	GJ264141512199	C.CAPACITOR	50V B K 150PF	
	C 61	GJ264141012199	C.CAPACITOR	50V B K 100PF			C 321	GJ264141512199	C.CAPACITOR	50V B K 150PF	
	C 62	GJ264141012199	C.CAPACITOR	50V B K 100PF			C 321	GJ283106822415	P.CAPACITOR	50V K 0.0068UF	
	C 63	GJ264141012199	C.CAPACITOR	50V B K 100PF			C 322	GJ264141512199	C.CAPACITOR	50V B K 150PF	
	C 64	GJ116221521	C CAPACITOR	50V SL J 47PF			C 323	GJ264271032199	C. CAPACITOR	16V Y M 0.01UF	
	C 65	GJ264271032199	C. CAPACITOR	16V Y M 0.01UF			C 324	GJ270111070399	E. CAPACITOR	10V M 100UF	
	C 81	GJ264142212199	C.CAPACITOR	50V B K 220PF			C 325	GJ270192250399	E. CAPACITOR	50V VX M 2.2UF	
	C 82	GJ264271032199	C. CAPACITOR	16V Y M 0.01UF			C 326	GJ264271032199	C. CAPACITOR	16V Y M 0.01UF	
	C 84	GJ264033302199	C.CAPACITOR	50V SL J 33PF			C 327	GJ270121060399	E. CAPACITOR	16V M 10UF	
	C 85	GJ264142212199	C.CAPACITOR	50V B K 220PF			C 328	GJ270124760399	E. CAPACITOR	16V M 47UF	

## ■ Electrical parts list (Main board)

Block No. 01

Item	Parts number	Parts name	Remarks	Area
C 329	GJ264271032199	C. CAPACITOR	16V Y M 0.01UF	
C 330	GJ264141012199	C.CAPACITOR	50V B K 100PF	
C 331	GJ270111070399	E. CAPACITOR	10V M 100UF	
C 332	GJ270124760399	E. CAPACITOR	16V M 47UF	
C 334	GJ270191050399	E. CAPACITOR	50V VX M 1UF	
C 335	GJ270144750399	E. CAPACITOR	25V VX M 4.7UF	
C 336	GJ270191050399	E. CAPACITOR	50V VX M 1UF	
C 337	GJ270124760399	E. CAPACITOR	16V M 47UF	
C 338	GJ264372232199	C. CAPACITOR	50V F Z 0.022U	
C 339	GJ264271032199	C. CAPACITOR	16V Y M 0.01UF	
C 341	GJ264271032199	C. CAPACITOR	16V Y M 0.01UF	
C 342	GJ264271032199	C. CAPACITOR	16V Y M 0.01UF	
C 343	GJ270121080199	E. CAPACITOR	16V M 1000UF	
C 344	GJ283101222415	P.CAPACITOR	50V K 0.0012UF	
C 345	GJ264271032199	C. CAPACITOR	16V Y M 0.01UF	
C 346	GJ270121060399	E. CAPACITOR	16V M 10UF	
C 347	GJ264271032199	C. CAPACITOR	16V Y M 0.01UF	
C 348	GJ264271032199	C. CAPACITOR	16V Y M 0.01UF	
C 349	GJ264372232199	C. CAPACITOR	50V F Z 0.022U	
C 371	GJ264271032199	C. CAPACITOR	16V Y M 0.01UF	
C 401	GJ264146812199	C.CAPACITOR	680PF BX 10% 50	
C 402	GJ264146812199	C.CAPACITOR	680PF BX 10% 5	
C 403	GJ264031202199	C.CAPACITOR	50V SL J 12PF	
C 404	GJ283101832415	M.CAPACITOR	50V K 0.018UF	
C 405	GJ270111070399	E. CAPACITOR	10V M 100UF	
C 407	GJ270144750399	E. CAPACITOR	25V VX M 4.7UF	
C 408	GJ270144750399	E. CAPACITOR	25V VX M 4.7UF	
C 409	GJ264141022199	C. CAPACITOR	50V B K 1000PF	
C 410	GJ264263322199	C.CAPACITOR	16V X M 3300PF	
C 411	GJ270141060399	E. CAPACITOR	25V VX M 10UF	
C 413	GJ260771812499	C.CAPACITOR	50V SL J 180PF	
C 414	GJ264141022199	C. CAPACITOR	50V B K 1000PF	
C 415	GJ270144750399	E. CAPACITOR	25V VX M 4.7UF	
C 417	GJ264144712199	C.CAPACITOR	50V B K 470PF	
C 418	GJ264262222199	C. CAPACITOR	16V X M 0.0022U	
C 420	GJ264033302199	C.CAPACITOR	50V SL J 33PF	
C 421	GJ264033302199	C.CAPACITOR	50V SL J 33PF	
C 501	GJ264146812199	C.CAPACITOR	680PF BX 10% 50	
C 502	GJ264146812199	C. CAPACITOR	680PF BX 10% 5	
C 503	GJ264031202199	C.CAPACITOR	50V SL J 33PF	
C 504	GJ283101832415	M.CAPACITOR	50V K 0.018UF	
C 505	GJ270111070399	E. CAPACITOR	10V M 100UF	
C 507	GJ270144750399	E. CAPACITOR	25V VX M 4.7UF	
C 508	GJ270144750399	E. CAPACITOR	25V VX M 4.7UF	
C 509	GJ264141022199	C. CAPACITOR	50V B K 1000PF	
C 510	GJ264263322199	C.CAPACITOR	16V X M 3300PF	
C 511	GJ270141060399	E. CAPACITOR	25V VX M 10UF	
C 513	GJ260771812499	C.CAPACITOR	50V SL J 180PF	
C 514	GJ264141022199	C. CAPACITOR	50V B K 1000PF	
C 515	GJ270144750399	E. CAPACITOR	25V VX M 4.7UF	
C 517	GJ264144712199	C.CAPACITOR	50V B K 470PF	
C 518	GJ264262222199	C. CAPACITOR	16V X M 0.0022	
C 520	GJ264033302199	C. CAPACITOR	50V SL J 33PF	
C 521	GJ264033302199	C.CAPACITOR	50V SL J 33PF	
C 601	GJ282033342499	M.CAPACITOR	50V J 0.33UF	
C 602	GJ264262222199	C. CAPACITOR	16V X M 0.0022	
C 603	GJ264262222199	C. CAPACITOR	16V X M 0.0022U	
C 604	GJ264262222199	C. CAPACITOR	16V X M 0.0022U	
C 605	GJ270112270399	E. CAPACITOR	10V VX M 220UF	
C 606	GJ262671042499	C. CAPACITOR	16V Y F Z 0.1M	
C 607	GJ264372232199	C. CAPACITOR	50V F Z 0.022U	
C 608	GJ262671042499	C. CAPACITOR	16V Y F Z 0.1M	
C 610	GJ270112270399	E. CAPACITOR	10V VX M 220UF	

Item	Parts number	Parts name	Remarks	Area
C 611	GJ262671042499	C. CAPACITOR	16V Y F Z 0.1M	
C 612	GJ264372232199	C. CAPACITOR	50V F Z 0.022U	
C 613	GJ264372232199	C. CAPACITOR	50V F Z 0.022U	
C 614	GJ282031542399	M.CAPACITOR	0.15MF 5% 50V	
C 615	GJ282031052499	M.CAPACITOR	50V J 1UF	
C 616	GJ116223421	C CAPACITOR	50V CH J 12PF	
C 617	GJ116223421	C CAPACITOR	50V CH J 12PF	
C 618	GJ270191060399	E. CAPACITOR	10MF 20% 50V	
C 619	GJ262671042499	C. CAPACITOR	16V Y F Z 0.1MF	
C 620	GJ262671042499	C. CAPACITOR	16V Y F Z 0.1MF	
C 621	GJ270112270399	E. CAPACITOR	10V VX M 220UF	
C 622	GJ270121060399	E. CAPACITOR	16V M 10UF	
C 624	GJ270114760399	E. CAPACITOR	10V M 47UF	
C 626	GJ262671042499	C. CAPACITOR	16V Y F Z 0.1M	
C 627	GJ264033302199	C.CAPACITOR	50V SL J 33PF	
C 628	GJ283103932415	P.CAPACITOR	50V K 0.039UF	
C 629	GJ111067121	C.CAPACITOR	47000PF F Z 50	
C 630	GJ264262222199	C. CAPACITOR	16V X M 0.0022U	
C 631	GJ270112270399	E. CAPACITOR	10V VX M 220UF	
C 632	GJ111067121	C.CAPACITOR	47000PF F Z 50	
C 633	GJ283101522415	P.CAPACITOR	50V K 0.0015U	
C 634	GJ264264722199	C.CAPACITOR	16V X M 0.0047U	
C 635	GJ283101042415	M.CAPACITOR	50V K 0.1UF	
C 636	GJ264372232199	C. CAPACITOR	50V F Z 0.022UF	
C 637	GJ282034742499	M.CAPACITOR	50V J 0.47UF	
C 638	GJ262671042499	C. CAPACITOR	16V Y F Z 0.1M	
C 639	GJ270111070399	E. CAPACITOR	10V M 100UF	
C 640	GJ264372232199	C. CAPACITOR	50V F Z 0.022U	
C 642	GJ116219921	C CAPACITOR	50V SL J 10PF	
C 643	GJ264141012199	C.CAPACITOR	50V B K 100PF	
C 644	GJ264372232199	C. CAPACITOR	50V F Z 0.022UF	
C 645	GJ264372232199	C. CAPACITOR	50V F Z 0.022U	
C 646	GJ283102722415	P.CAPACITOR	50V K 0.0027UF	
C 647	GJ283102722415	P.CAPACITOR	50V K 0.0027U	
C 648	GJ264372232199	C. CAPACITOR	50V F Z 0.022UF	
C 649	GJ270191060399	E. CAPACITOR	10MF 20% 50V	
C 650	GJ270112270399	E. CAPACITOR	10V VX M 220UF	
C 651	GJ264372232199	C. CAPACITOR	50V F Z 0.022U	
C 652	GJ264143912199	C.CAPACITOR	50V B K 390PF	
C 653	GJ264143912199	C.CAPACITOR	50V B K 390PF	
C 654	GJ283106822415	P.CAPACITOR	50V K 0.0068UF	
C 656	GJ264264722199	C.CAPACITOR	16V X M 0.0047U	
C 658	GJ264143912199	C.CAPACITOR	50V B K 390PF	
C 659	GJ264143912199	C.CAPACITOR	50V B K 390PF	
C 660	GJ264141022199	C. CAPACITOR	50V B K 1000PF	
C 661	GJ264141022199	C. CAPACITOR	50V B K 1000PF	
C 673	GJ264141012199	C.CAPACITOR	50V B K 100PF	
C 690	GJ264144712199	C.CAPACITOR	50V B K 470PF	
C 797	GJ112427491	E.CAPACITOR	4.7MF 50V	
C 981	GJ262722232499	C.CAPACITOR	25V YF Z 0.022U	
C 982	GJ262722232499	C.CAPACITOR	25V YF Z 0.022U	
C 983	GJ262722232499	C.CAPACITOR	25V YF Z 0.022U	
C 984	GJ262722232499	C.CAPACITOR	25V YF Z 0.022U	
C 985	GJ270144770299	E. CAPACITOR		
C 986	GJ270191050310	E.CAPACITOR	50V VX M 1UF	
C 987	GJ270111070310	E.CAPACITOR	10V M 100UF	
C 988	GJ262722232499	C.CAPACITOR	25V YF Z 0.022U	
CF 1	GJ178140611	CERAMIC FILTER	SFE10.7MS3GA	
CF 2	GJ178140611	CERAMIC FILTER	SFE10.7MS3GA	
CF 3	GJ178181711	DISCRIMI-NATOR	CDA10.7MG86NA	
CN301	GJ340022210102	FFC CONNECTOR	P=1.25MM21PIN	
CN302	GJ340022220102	CONNECTOR	P=1.25MM 22PI	
CN305	GJ340022150102	CONNECTOR	CONNECTOR FFC/F	

## ■ Electrical parts list (Main board)

Block No. 01

Item	Parts number	Parts name	Remarks	Area	Item	Parts number	Parts name	Remarks	Area
CN307	GJ345202030101	WAFER	3PINSP=2MM		IC401	GJ313080521101	IC	TA8189N	
CN308	GJ345202080101	WAFER			IC402	GJ313070041101	IC	TC74HC4094AP	
CN601	GJ340122150102	FFC CONNECTOR	P=1MM 15PIN		IC601	GJ313060841223	IC	MN662748RPMFA	
CN602	GJ345201060101	WAFER	6PINS RA P=2MM		IC611	GJ313020851323	IC	AN22000A	
CN603	GJ345202070101	WAFER	7PINSP=2MM		IC621	GJ313050221003	IC	BA5936S	
CN604	GJ340022050102	CONNECTOR	5PIN P=1.25MM)		IC981	GJ313070011602	IC	UPC78L05J OR	
CN605	GJ340021050109	FFC CONNECTOR			J 301	GJ342030140109	RCA JACK	4PINS HSP222V1	
CN981	GJ340022040109-	CONNECTOR	CONNECTOR FFC/F		JA302	GJ342060010111	MULTI JACK	D=9.5MM (YKD310	
D 1	GJ310010220205	DIODE	1SS133T77		L 1	GJ241112792102	INDUCTOR	2.7UH 5% Q40 (C	
D 2	GJ310010220205	DIODE	1SS133T77		L 2	GJ320050210105	ANT COIL	MW BLACK	
D 3	GJ310010220205	DIODE	1SS133T77		L 3	GJ320050200205	ANT COIL	LW WHITE	
D 4	GJ310010220205	DIODE	1SS133T77		L 4	GJ320010170105	OSC COIL	MW ORANGE	
D 5	GJ310010220205	DIODE	1SS133T77		L 5	GJ320010160105	OSC COIL	LW GREEN	
D 6	GJ310010220205	DIODE	1SS133T77		L 6	GJ241111502102	INDUCTOR	15UH 5% Q40	
D 7	GJ310050270503	VARIABLE CAPA	KV1560NT		L 8	GJ141052131	INDUCTOR	100UH 5% Q40	
D 50	GJ310010220205	DIODE	1SS133T77		L 12	GJ141052131	INDUCTOR	100UH 5% Q40	
D 51	GJ310010220205	DIODE	1SS133T77		L 13	GJ141052131	INDUCTOR	100UH 5% Q40	
D 52	GJ310010220205	DIODE	1SS133T77		L 50	GJ241112212102	INDUCTOR	220UH 10% Q40	
D 53	GJ310010220205	DIODE	1SS133T77		L 301	GJ320060040105	COIL	0X10MM BLACK	
D 301	GJ310010220205	DIODE	1SS133T77		L 302	GJ371010100005	FERRITE BEAD	LGK0305TBA	
D 302	GJ310010220205	DIODE	1SS133T77		L 303	GJ371010100005	FERRITE BEAD	LGK0305TBA	
D 305	GJ310020020104	DIODE	1N4001		L 305	GJ241131001301	INDUCTOR	10UH (LAL 04 S	
D 306	GJ310010220205	DIODE	1SS133T77		L 306	GJ371010100005	FERRITE BEAD	LGK0305TBA	
D 307	GJ310030011705	ZENER DIODE	MTZJT775.1A		L 307	GJ371010100005	FERRITE BEAD	LGK0305TBA	
D 308	GJ310010220205	DIODE	1SS133T77		L 601	GJ241111002102	INDUCTOR	10UH 5% Q40	
D 309	GJ310010220205	DIODE	1SS133T77		M 1	GJ381000350004	TRAY MOTOR	M31E1 R147210	
D 310	GJ310010220205	DIODE	1SS133T77		M 2	GJ381020310004	MOTOR		
D 311	GJ310010220205	DIODE	1SS133T77		PUSW	GJ390070031204	SWITCH	DOUBLE SWING SW	
D 312	GJ310010220205	DIODE	1SS133T77		Q 1	GJ312030141210	TRANSISTOR	KTC3194	
D 313	GJ310010220205	DIODE	1SS133T77		Q 2	GJ312030111210	TRANSISTOR	KTC3199TPGR	
D 314	GJ310010220205	DIODE	1SS133T77		Q 3	GJ312030111210	TRANSISTOR	KTC3199TPGR	
D 321	GJ310010220205	DIODE	1SS133T77		Q 4	GJ312011191210	TRANSISTOR	KRA107M	
D 322	GJ310010220205	DIODE	1SS133T77		Q 5	GJ312010331203	TRANSISTOR	DTC114YS	
D 325	GJ310010220205	DIODE	1SS133T77		Q 6	GJ312010331203	TRANSISTOR	DTC114YS	
D 326	GJ310010220205	DIODE	1SS133T77		Q 7	GJ312011191210	TRANSISTOR	KRA107M	
D 327	GJ310010220205	DIODE	1SS133T77		Q 8	GJ312011191210	TRANSISTOR	KRA107M	
D 601	GJ310010220205	DIODE	1SS133T77		Q 9	GJ312030111210	TRANSISTOR	KTC3199TPGR	
D 602	GJ310010220205	DIODE	1SS133T77		Q 10	GJ312011231210	TRANSISTOR	KTA1267Y	
D 605	GJ310020020104	DIODE	1N4001		Q 11	GJ312020035201	TRANSISTOR		
D 606	GJ310020020104	DIODE	1N4001		Q 12	GJ312011191210	TRANSISTOR	KRA107M	
D 607	GJ310020020104	DIODE	1N4001		Q 101	GJ312030111210	TRANSISTOR	KTC3199TPGR	
D 981	GJ310020020104	DIODE	1N4001		Q 201	GJ312030111210	TRANSISTOR	KTC3199TPGR	
D 982	GJ310020020104	DIODE	1N4001		Q 301	GJ312011191210	TRANSISTOR	KRA107M	
D 983	GJ310020020104	DIODE	1N4001		Q 302	GJ312030131210	TRANSISTOR	KTC3200 (GR)	
D 984	GJ310020020104	DIODE	1N4001		Q 303	GJ312030161210	TRANSISTOR	KTC3203Y	
D 985	GJ310010220205	DIODE	1SS133T77		Q 304	GJ312011231210	TRANSISTOR	KTA1267Y	
D 986	GJ310010220205	DIODE	1SS133T77		Q 305	GJ312011321203	TRANSISTOR	DTC144ESA	
D 987	GJ310010220205	DIODE	1SS133T77		Q 306	GJ312011321203	TRANSISTOR	DTC144ESA	
F 981	GJ369000700009	FUSE	FUSE 1.25A		Q 307	GJ312010331203	TRANSISTOR	DTC114YS	
FB601	GJ371010100005	FERRITE BEAD	LGK0305TBA		Q 308	GJ312011321203	TRANSISTOR	DTC144ESA	
FF601	GJ353150100107	FFC/FPC CABLE			Q 309	GJ312011251210	TRANSISTOR	KTA1273(Y)	
FF603	GJ353150170107	CABLE			Q 310	GJ312030111210	TRANSISTOR	KTC3199TPGR	
FF604	GJ353050300107	FFC/FPC CABLE			Q 311	GJ312011251210	TRANSISTOR	KTA1273(Y)	
FF981	GJ353040250107	CABLE	CABLE FFC/FPC P		Q 312	GJ312030111210	TRANSISTOR	KTC3199TPGR	
FW303	GJ353110190107	CABLE FLAT	11PINS L=190MM		Q 313	GJ312011251210	TRANSISTOR	KTA1273(Y)	
FW602	GJ354005690100	WIRE KIT	6PIN P=2.0MM L		Q 314	GJ312010331203	TRANSISTOR	DTC114YS	
HW606	GJ156538421	HOLDER			Q 315	GJ312030111210	TRANSISTOR	KTC3199TPGR	
HW607	GJ157328721	HOLDER			Q 316	GJ312030111210	TRANSISTOR	KTC3199TPGR	
IC 1	GJ313010681106	IC	LA1833 DIP		Q 317	GJ312030111210	TRANSISTOR	KTC3199TPGR	
IC 2	GJ313070221000	IC	LC72136N		Q 318	GJ312010331203	TRANSISTOR	DTC114YS	
IC 3	GJ313011141103	IC	BU1923 DIP		Q 319	GJ312011921210	TRANSISTOR	KTA1270Y	
IC101	GJ313070541318	IC	TDA7440D		Q 321	GJ312010331203	TRANSISTOR	DTC114YS	
IC102	GJ313010023103	IC	BA15218 DIP		Q 322	GJ312011191210	TRANSISTOR	KRA107M	

■ Electrical parts list (Main board)

Block No. 01

△	Item	Parts number	Parts name	Remarks	Area
	Q 323	GJ312011191210	TRANSISTOR	KRA107M	
	Q 324	GJ312011191210	TRANSISTOR	KRA107M	
	Q 325	GJ312010331203	TRANSISTOR	DTC114YS	
	Q 326	GJ312011191210	TRANSISTOR	KRA107M	
	Q 327	GJ312030131210	TRANSISTOR	KTC3200 (GR)	
	Q 328	GJ312011231210	TRANSISTOR	KTA1267Y	
	Q 401	GJ312020204203	TRANSISTOR	2SD2144S	
	Q 402	GJ312020204203	TRANSISTOR	2SD2144S	
	Q 403	GJ312030111210	TRANSISTOR	KTC3199TPGR	
	Q 404	GJ312030111210	TRANSISTOR	KTC3199TPGR	
	Q 405	GJ312030111210	TRANSISTOR	KTC3199TPGR	
	Q 501	GJ312020204203	TRANSISTOR	2SD2144S	
	Q 502	GJ312020204203	TRANSISTOR	2SD2144S	
	Q 503	GJ312030111210	TRANSISTOR	KTC3199TPGR	
	Q 504	GJ312030111210	TRANSISTOR	KTC3199TPGR	
	Q 505	GJ312030111210	TRANSISTOR	KTC3199TPGR	
	Q 601	GJ312011231210	TRANSISTOR	KTA1267Y	
	Q 602	GJ312010331203	TRANSISTOR	DTC114YS	
	Q 981	GJ312010511203	TRANSISTOR	DTC144TSA	
	Q 982	GJ312010331203	TRANSISTOR	DTC114YSTP	
	Q 983	GJ312010331203	TRANSISTOR	DTC114YSTP	
	R 1	GJ250032202199	CARBON RESISTOR	1/4WM J 22	
	R 2	GJ250031022199	CARBON RESISTOR	1/4WM J 1K	
	R 3	GJ250031022199	CARBON RESISTOR	1/4WM J 1K	
	R 4	GJ250031032199	CARBON RESISTOR	1/4WM J 10K	
	R 5	GJ250031522199	CARBON RESISTOR	1/4WM J 1.5K	
	R 6	GJ250034722199	CARBON RESISTOR	1/4WM J 4.7K	
	R 7	GJ250034722199	CARBON RESISTOR	1/4WM J 4.7K	
	R 8	GJ250034712199	CARBON RESISTOR	1/4WM J 470	
	R 9	GJ250033312199	CARBON RESISTOR	1/4WM J 330	
	R 10	GJ250033332199	CARBON RESISTOR	1/4WM J 33K	
	R 11	GJ250032202199	CARBON RESISTOR	1/4WM J 22	
	R 12	GJ250033312199	CARBON RESISTOR	1/4WM J 330	
	R 13	GJ250031012199	CARBON RESISTOR	1/4WM J 100	
	R 14	GJ250035622199	CARBON RESISTOR	1/4WM J 5.6K	
	R 15	GJ250036822199	CARBON RESISTOR	1/4WM J 6.8K	
	R 16	GJ250031032199	CARBON RESISTOR	1/4WM J 10K	
	R 17	GJ250034732199	CARBON RESISTOR	1/4WM J 47K	
	R 18	GJ250031012199	CARBON RESISTOR	1/4WM J 100	
	R 19	GJ250033322199	CARBON RESISTOR	1/4WM J 3.3K	
	R 20	GJ250034722199	CARBON RESISTOR	1/4WM J 4.7K	
	R 21	GJ250031832199	CARBON RESISTOR	1/4WM J 18	
	R 22	GJ250032232199	CARBON RESISTOR	1/4WM J 22K	
	R 23	GJ250036832199	CARBON RESISTOR	1/4WM J 68K	
	R 24	GJ250031532199	CARBON RESISTOR	1/4WM J 15K	
	R 25	GJ250035622199	CARBON RESISTOR	1/4WM J 5.6K	
	R 26	GJ250035622199	CARBON RESISTOR	1/4WM J 5.6K	
	R 27	GJ250034722199	CARBON RESISTOR	1/4WM J 4.7K	
	R 28	GJ250034722199	CARBON RESISTOR	1/4WM J 4.7K	
	R 29	GJ250034712199	CARBON RESISTOR	1/4WM J 470	
	R 30	GJ250033322199	CARBON RESISTOR	1/4WM J 3.3K	
	R 31	GJ250031032199	CARBON RESISTOR	1/4WM J 10K	
	R 32	GJ250031022199	CARBON RESISTOR	1/4WM J 1K	
	R 33	GJ25053301611	FUSE RESISTOR	1/4W J 33 OHM B	
	R 35	GJ250031032199	CARBON RESISTOR	1/4WM J 10K	
	R 51	GJ250031022199	CARBON RESISTOR	1/4WM J 1K	
	R 52	GJ250033322199	CARBON RESISTOR	1/4WM J 3.3K	
	R 53	GJ250034722199	CARBON RESISTOR	1/4WM J 4.7K	
	R 54	GJ250031822199	CARBON RESISTOR	1/4WM J 1.8K	
	R 55	GJ250034722199	CARBON RESISTOR	1/4WM J 4.7K	
	R 56	GJ250032222199	CARBON RESISTOR	1/4WM J 2.2K	
	R 57	GJ250033312199	CARBON RESISTOR	1/4WM J 330	
	R 58	GJ250031032199	CARBON RESISTOR	1/4WM J 10K	

△	Item	Parts number	Parts name	Remarks	Area
	R 59	GJ250031022199	CARBON RESISTOR	1/4WM J 1K	
	R 60	GJ250031022199	CARBON RESISTOR	1/4WM J 1K	
	R 61	GJ250031022199	CARBON RESISTOR	1/4WM J 1K	
	R 62	GJ250031022199	CARBON RESISTOR	1/4WM J 1K	
	R 63	GJ250034732199	CARBON RESISTOR	1/4WM J 47K	
	R 64	GJ250034732199	CARBON RESISTOR	1/4WM J 47K	
	R 65	GJ250034732199	CARBON RESISTOR	1/4WM J 47K	
	R 66	GJ250032232199	CARBON RESISTOR	1/4WM J 22K	
	R 67	GJ250032232199	CARBON RESISTOR	1/4WM J 22K	
	R 68	GJ250032222199	CARBON RESISTOR	1/4WM J 2.2K	
	R 69	GJ250031022199	CARBON RESISTOR	1/4WM J 1K	
	R 70	GJ250031022199	CARBON RESISTOR	1/4WM J 1K	
	R 71	GJ250031022199	CARBON RESISTOR	1/4WM J 1K	
	R 72	GJ250031022199	CARBON RESISTOR	1/4WM J 1K	
	R 75	GJ250034742199	CARBON RESISTOR	1/4WM J 470K	
	R 76	GJ250032222199	CARBON RESISTOR	1/4WM J 2.2K	
	R 77	GJ250032222199	CARBON RESISTOR	1/4WM J 2.2K	
	R 78	GJ250032222199	CARBON RESISTOR	1/4WM J 2.2K	
	R 79	GJ250031022199	CARBON RESISTOR	1/4WM J 1K	
	R 80	GJ250031022199	CARBON RESISTOR	1/4WM J 1K	
	R 101	GJ250033932199	CARBON RESISTOR	1/4WM J 39K	
	R 102	GJ250036822199	CARBON RESISTOR	1/4WM J 6.8K	
	R 103	GJ250032222199	CARBON RESISTOR	1/4WM J 2.2K	
	R 104	GJ250032222199	CARBON RESISTOR	1/4WM J 2.2K	
	R 105	GJ250031542199	CARBON RESISTOR	1/4WM J 150K	
	R 106	GJ250036822199	CARBON RESISTOR	1/4WM J 6.8K	
	R 108	GJ250031032199	CARBON RESISTOR	1/4WM J 10K	
	R 109	GJ250031222199	CARBON RESISTOR	1/4WM J 1.2K	
	R 110	GJ250032222199	CARBON RESISTOR	1/4WM J 2.2K	
	R 111	GJ250031032199	CARBON RESISTOR	1/4WM J 10K	
	R 112	GJ250035622199	CARBON RESISTOR	1/4WM J 5.6K	
	R 113	GJ250031032199	CARBON RESISTOR	1/4WM J 10K	
	R 114	GJ250031022199	CARBON RESISTOR	1/4WM J 1K	
	R 115	GJ250032232199	CARBON RESISTOR	1/4WM J 22K	
	R 201	GJ250033932199	CARBON RESISTOR	1/4WM J 39K	
	R 202	GJ250036822199	CARBON RESISTOR	1/4WM J 6.8K	
	R 203	GJ250032222199	CARBON RESISTOR	1/4WM J 2.2K	
	R 204	GJ250032222199	CARBON RESISTOR	1/4WM J 2.2K	
	R 205	GJ250031542199	CARBON RESISTOR	1/4WM J 150K	
	R 206	GJ250036822199	CARBON RESISTOR	1/4WM J 6.8K	
	R 208	GJ250031032199	CARBON RESISTOR	1/4WM J 10K	
	R 209	GJ250031222199	CARBON RESISTOR	1/4WM J 1.2K	
	R 210	GJ250032222199	CARBON RESISTOR	1/4WM J 2.2K	
	R 211	GJ250031032199	CARBON RESISTOR	1/4WM J 10K	
	R 212	GJ250035622199	CARBON RESISTOR	1/4WM J 5.6K	
	R 213	GJ250031032199	CARBON RESISTOR	1/4WM J 10K	
	R 214	GJ250031022199	CARBON RESISTOR	1/4WM J 1K	
	R 215	GJ250032232199	CARBON RESISTOR	1/4WM J 22K	
	R 301	GJ250031022199	CARBON RESISTOR	1/4WM J 1K	
	R 303	GJ250031022199	CARBON RESISTOR	1/4WM J 1K	
	R 304	GJ250033312199	CARBON RESISTOR	1/4WM J 330	
	R 305	GJ250031032199	CARBON RESISTOR	1/4WM J 10K	
	R 306	GJ250031052199	CARBON RESISTOR	1/4WM J 1M	
	R 307	GJ250032222199	CARBON RESISTOR	1/4WM J 2.2K	
	R 308	GJ250031032199	CARBON RESISTOR	1/4WM J 10K	
	R 309	GJ250031002199	CARBON RESISTOR	1/4WM J 10	
	R 310	GJ250033902199	CARBON RESISTOR	1/4WM J 39	
	R 311	GJ250031202199	CARBON RESISTOR	1/4WM J 12	
	R 312	GJ250031022199	CARBON RESISTOR	1/4WM J 1K	
	R 313	GJ250031032199	CARBON RESISTOR	1/4WM J 10K	
	R 314	GJ250031032199	CARBON RESISTOR	1/4WM J 10K	
	R 315	GJ250031032199	CARBON RESISTOR	1/4WM J 10K	
	R 316	GJ250031032199	CARBON RESISTOR	1/4WM J 10K	

■ Electrical parts list (Main board)

Block No. 01

△	Item	Parts number	Parts name	Remarks	Area	△	Item	Parts number	Parts name	Remarks	Area
	R 317	GJ250034722199	CARBON RESISTOR	1/4WM J 4.7K			R 413	GJ250032232199	CARBON RESISTOR	1/4WM J 22K	
	R 318	GJ250031032199	CARBON RESISTOR	1/4WM J 10K			R 414	GJ250034722199	CARBON RESISTOR	1/4WM J 4.7K	
	R 319	GJ250032232199	CARBON RESISTOR	1/4WM J 22K			R 415	GJ250031032199	CARBON RESISTOR	1/4WM J 10K	
	R 320	GJ250034732199	CARBON RESISTOR	1/4WM J 47K			R 416	GJ250036822199	CARBON RESISTOR	1/4WM J 6.8K	
	R 321	GJ250032222199	CARBON RESISTOR	1/4WM J 2.2K			R 417	GJ250032232199	CARBON RESISTOR	1/4WM J 22K	
	R 322	GJ250032222199	CARBON RESISTOR	1/4WM J 2.2K			R 418	GJ250032222199	CARBON RESISTOR	1/4WM J 2.2K	
	R 323	GJ250032222199	CARBON RESISTOR	1/4WM J 2.2K			R 421	GJ250031022199	CARBON RESISTOR	1/4WM J 1K	
	R 324	GJ250032222199	CARBON RESISTOR	1/4WM J 2.2K			R 422	GJ250031022199	CARBON RESISTOR	1/4WM J 1K	
	R 325	GJ250032222199	CARBON RESISTOR	1/4WM J 2.2K			R 423	GJ250032222199	CARBON RESISTOR	1/4WM J 2.2K	
	R 328	GJ250031032199	CARBON RESISTOR	1/4WM J 10K			R 501	GJ250031032199	CARBON RESISTOR	1/4WM J 10K	
	R 329	GJ250032232199	CARBON RESISTOR	1/4WM J 22K			R 502	GJ250036822199	CARBON RESISTOR	1/4WM J 6.8K	
	R 330	GJ250034732199	CARBON RESISTOR	1/4WM J 47K			R 503	GJ250039122199	CARBON RESISTOR	1/4WM J 9.1K	
	R 331	GJ250033322199	CARBON RESISTOR	1/4WM J 3.3K			R 504	GJ250031012199	CARBON RESISTOR	1/4WM J 100	
	R 332	GJ250034722199	CARBON RESISTOR	1/4WM J 4.7K			R 505	GJ250031032199	CARBON RESISTOR	1/4WM J 10K	
	R 333	GJ250031512199	CARBON RESISTOR	1/4WM J 150			R 506	GJ250036822199	CARBON RESISTOR	1/4WM J 6.8K	
	R 334	GJ250033322199	CARBON RESISTOR	1/4WM J 3.3K			R 507	GJ250036832199	CARBON RESISTOR	1/4WM J 68K	
	R 335	GJ250034722199	CARBON RESISTOR	1/4WM J 4.7K			R 509	GJ250031542199	CARBON RESISTOR	1/4WM J 150K	
	R 336	GJ250031512199	CARBON RESISTOR	1/4WM J 150			R 510	GJ250031222199	CARBON RESISTOR	1/4WM J 1.2K	
	R 337	GJ250033322199	CARBON RESISTOR	1/4WM J 3.3K			R 512	GJ250031822199	CARBON RESISTOR	1/4WM J 1.8K	
	R 338	GJ250031022199	CARBON RESISTOR	1/4WM J 1K			R 513	GJ250032232199	CARBON RESISTOR	1/4WM J 22K	
	R 339	GJ250032222199	CARBON RESISTOR	1/4WM J 2.2K			R 514	GJ250034722199	CARBON RESISTOR	1/4WM J 4.7K	
	R 340	GJ250032222199	CARBON RESISTOR	1/4WM J 2.2K			R 515	GJ250031032199	CARBON RESISTOR	1/4WM J 10K	
	R 341	GJ250032222199	CARBON RESISTOR	1/4WM J 2.2K			R 516	GJ250036822199	CARBON RESISTOR	1/4WM J 6.8K	
	R 344	GJ250031022199	CARBON RESISTOR	1/4WM J 1K			R 517	GJ250032232199	CARBON RESISTOR	1/4WM J 22K	
	R 345	GJ250031022199	CARBON RESISTOR	1/4WM J 1K			R 518	GJ250032222199	CARBON RESISTOR	1/4WM J 2.2K	
	R 346	GJ250034702199	CARBON RESISTOR	1/4WM J 47			R 521	GJ250031022199	CARBON RESISTOR	1/4WM J 1K	
	R 347	GJ250031022199	CARBON RESISTOR	1/4WM J 1K			R 522	GJ250031022199	CARBON RESISTOR	1/4WM J 1K	
	R 348	GJ250032222199	CARBON RESISTOR	1/4WM J 2.2K			R 523	GJ250032222199	CARBON RESISTOR	1/4WM J 2.2K	
	R 349	GJ250032212199	CARBON RESISTOR	1/4WM J 220			R 601	GJ250032722199	CARBON RESISTOR	1/4WM J 2.7K	
	R 350	GJ250031022199	CARBON RESISTOR	1/4WM J 1K			R 602	GJ250031212199	CARBON RESISTOR	1/4WM J 120	
	R 351	GJ250031032199	CARBON RESISTOR	1/4WM J 10K			R 603	GJ250031022199	CARBON RESISTOR	1/4WM J 1K	
	R 352	GJ250031532199	CARBON RESISTOR	1/4WM J 15K			R 604	GJ250031022199	CARBON RESISTOR	1/4WM J 1K	
	R 353	GJ250031812199	CARBON RESISTOR	1/4WM J 180			R 605	GJ250032212199	CARBON RESISTOR	1/4WM J 220	
	R 354	GJ250038212199	CARBON RESISTOR	1/4WM J 820			R 611	GJ250031032199	CARBON RESISTOR	1/4WM J 10K	
	R 355	GJ250033302199	CARBON RESISTOR	1/4WM J 33			R 614	GJ250031022199	CARBON RESISTOR	1/4WM J 1K	
	R 356	GJ250032212199	CARBON RESISTOR	1/4WM J 220			R 615	GJ250031022199	CARBON RESISTOR	1/4WM J 1K	
	R 357	GJ250031032199	CARBON RESISTOR	CF 1/4WM J 10K			R 616	GJ250033932199	CARBON RESISTOR	1/4WM J 39K	
	R 358	GJ250031032199	CARBON RESISTOR	1/4WM J 10K			R 617	GJ250031052199	CARBON RESISTOR	1/4WM J 1M	
	R 359	GJ250034712199	CARBON RESISTOR	1/4WM J 470			R 618	GJ250036832199	CARBON RESISTOR	1/4WM J 68K	
	R 360	GJ250032222199	CARBON RESISTOR	1/4WM J 2.2K			R 619	GJ250031012199	CARBON RESISTOR	1/4WM J 100	
	R 361	GJ250032232199	CARBON RESISTOR	1/4WM J 22K			R 621	GJ250036832199	CARBON RESISTOR	1/4WM J 68K	
	R 362	GJ255052291699	CARBON RESISTOR	1/4W J 2.2 OHM)			R 622	GJ250036832199	CARBON RESISTOR	1/4WM J 68K	
	R 363	GJ250034712199	CARBON RESISTOR	1/4WM J 470			R 623	GJ250031242199	CARBON RESISTOR	1/4WM J 120K	
	R 365	GJ250033322199	CARBON RESISTOR	1/4WM J 3.3K			R 624	GJ250031552199	CARBON RESISTOR	1/4WM J 1.5M	
	R 366	GJ250036822199	CARBON RESISTOR	1/4WM J 6.8K			R 625	GJ250033312199	CARBON RESISTOR	1/4WM J 330	
	R 367	GJ250031032199	CARBON RESISTOR	CF 1/4WM J 10K			R 626	GJ250035642199	CARBON RESISTOR	1/4WM J 560K	
	R 368	GJ250034732199	CARBON RESISTOR	1/4WM J 47K			R 628	GJ250035622199	CARBON RESISTOR	1/4WM J 5.6K	
	R 369	GJ250034732199	CARBON RESISTOR	1/4WM J 47K			R 629	GJ250032292199	CARBON RESISTOR	1/4WM J 2.2	
	R 370	GJ250031022199	CARBON RESISTOR	1/4WM J 1K			R 629	GJ250031032199	CARBON RESISTOR		
	R 371	GJ250032232199	CARBON RESISTOR	1/4WM J 22K			R 630	GJ250031032199	CARBON RESISTOR	1/4WM J 10K	
	R 372	GJ250032232199	CARBON RESISTOR	1/4WM J 22K			R 631	GJ250031032199	CARBON RESISTOR	1/4WM J 10K	
	R 373	GJ250032222199	CARBON RESISTOR	1/4WM J 2.2K			R 632	GJ250031002199	CARBON RESISTOR	1/4WM J 10	
	R 374	GJ250032232199	CARBON RESISTOR	1/4WM J 22K			R 633	GJ250031002199	CARBON RESISTOR	1/4WM J 10	
	R 401	GJ250031032199	CARBON RESISTOR	1/4WM J 10K			R 634	GJ250031202199	CARBON RESISTOR	1/4WM J 12	
	R 402	GJ250036822199	CARBON RESISTOR	1/4WM J 6.8K			R 635	GJ250033932199	CARBON RESISTOR	1/4WM J 39K	
	R 403	GJ250039122199	CARBON RESISTOR	1/4WM J 9.1K			R 636	GJ250032232199	CARBON RESISTOR	1/4WM J 22K	
	R 404	GJ250031012199	CARBON RESISTOR	1/4WM J 100			R 637	GJ250032222199	CARBON RESISTOR	1/4WM J 2.2K	
	R 405	GJ250031032199	CARBON RESISTOR	CF 1/4WM J 10K			R 638	GJ250033322199	CARBON RESISTOR	1/4WM J 3.3K	
	R 406	GJ250036822199	CARBON RESISTOR	1/4WM J 6.8K			R 639	GJ250036822199	CARBON RESISTOR	1/4WM J 6.8K	
	R 407	GJ250036832199	CARBON RESISTOR	1/4WM J 68K			R 640	GJ250036822199	CARBON RESISTOR	1/4WM J 6.8K	
	R 409	GJ250031542199	CARBON RESISTOR	1/4WM J 150K			R 642	GJ250031542199	CARBON RESISTOR	1/4WM J 150K	
	R 410	GJ250031222199	CARBON RESISTOR	1/4WM J 1.2K			R 643	GJ250034742199	CARBON RESISTOR	1/4WM J 470K	
	R 412	GJ250031822199	CARBON RESISTOR	1/4WM J 1.8K			R 644	GJ250031542199	CARBON RESISTOR	1/4WM J 150K	

## ■ Electrical parts list (Main board)

Block No. 01

△	Item	Parts number	Parts name	Remarks	Area
	R 645	GJ250032742199	CARBON RESISTOR	1/4WM J 270K	
	R 646	GJ250032242199	CARBON RESISTOR	1/4WM J 220K	
	R 647	GJ250031032199	CARBON RESISTOR	1/4WM J 10K	
	R 648	GJ250031032199	CARBON RESISTOR	1/4WM J 10K	
	R 650	GJ250034722199	CARBON RESISTOR	1/4WM J 4.7K	
	R 651	GJ250032732199	CARBON RESISTOR	1/4WM J 27K	
	R 652	GJ250031222199	CARBON RESISTOR	1/4WM J 1.2K	
	R 653	GJ250031222199	CARBON RESISTOR	1/4WM J 1.2K	
	R 654	GJ250031232199	CARBON RESISTOR	1/4WM J 12K	
	R 655	GJ250032432199	CARBON RESISTOR	1/4WM J 24K	
	R 656	GJ250032722199	CARBON RESISTOR	1/4WM J 2.7K	
	R 657	GJ250033922199	CARBON RESISTOR	1/4WM J 3.9K	
	R 659	GJ250031032199	CARBON RESISTOR	1/4WM J 10K	
	R 660	GJ250031032199	CARBON RESISTOR	1/4WM J 10K	
	R 662	GJ250035622199	CARBON RESISTOR	1/4WM J 5.6K	
	R 663	GJ250035622199	CARBON RESISTOR	1/4WM J 5.6K	
	R 664	GJ250032232199	CARBON RESISTOR	1/4WM J 22K	
	R 665	GJ250032232199	CARBON RESISTOR	1/4WM J 22K	
	R 666	GJ250031022199	CARBON RESISTOR	1/4WM J 1K	
	R 667	GJ25003332199	CARBON RESISTOR	1/4WM J 33K	
	R 668	GJ250032722199	CARBON RESISTOR	1/4WM J 2.7K	
	R 669	GJ250032712199	CARBON RESISTOR	1/4WM J 270	
	R 670	GJ250033942199	CARBON RESISTOR	1/4WM J 390K	
	R 671	GJ250038222199	CARBON RESISTOR	1/4WM J 8.2K	
	R 672	GJ25003332199	CARBON RESISTOR	1/4WM J 33K	
	R 673	GJ25003332199	CARBON RESISTOR	1/4WM J 33K	
	R 675	GJ250038222199	CARBON RESISTOR	1/4WM J 8.2K	
	R 982	GJ250031002199	CARBON RESISTOR	1/4WM J 10	
	R 983	GJ250034722199	CARBON RESISTOR	1/4WM J 4.7K	
	R 984	GJ250031032199	CARBON RESISTOR	1/4WM J 10K	
△	RL981	GJ175501811	RELAY	RELAY (12V)	
	SOLDI	GJ727400140301	SOLDERING TAP	SOLDERING TAP M	
	SW703	GJ390170021204	SWITCH	SWITCH 00120688	
	SW704	GJ390170021204	SWITCH	DETECTOR SWITCH	
	T 1	GJ321000720109	CERAMIC FILTER	7MM BLACK	
△	T 981	GJ336280050113	TRANS FORMER	EI28 AC 230V 5	
	TB901	GJ727000010004	SOLDERING -TAP	SOLDERING TAP (	
	TB902	GJ727000010004	SOLDERING -TAP	SOLDERING TAP (	
	TB903	GJ727000010004	SOLDERING -TAP	SOLDERING TAP (	
	TB904	GJ727000010004	SOLDERING -TAP	SOLDERING TAP (	
	TU 1	GJ321000570106	FRONT END		B,E,EN,EV
	TU 1	GJ321000580106	FRONT END		EE
	W 603	GJ354005930100	WIRE KIT		
	W 606	GJ353030180107	CABLE FLAT		
	W 607	GJ353020120207	FLAT CABLE		
	W 608	GJ354005380100	WIRE KIT		
	WIRE	GJ731000500000	WIRE TIE		
	WK307	GJ354005940100	WIRE KIT		
	WK308	GJ354005950100	WIRE KIT	8PINS P=2MM	
	X 1	GJ361000130003	X'TAL	75KHZ +/-20PPM	
	X 2	GJ361000340013	X'TAL	4.332MHZ /+ 20P	
	X 601	GJ361000400009	CRYSTAL	6.9344MHZ	

■ Electrical parts list (Control board)

Block No. 02

△	Item	Parts number	Parts name	Remarks	Area
	C 701	GJ264291042101	C.CAPACITOR	0.1MF FF 50V	
	C 702	GJ270112270399	E. CAPACITOR	10V VX M 220UF	
	C 703	GJ270112270399	E. CAPACITOR	10V VX M 220UF	
	C 704	GJ270112270399	E. CAPACITOR	10V VX M 220UF	
	C 705	GJ264141022199	C. CAPACITOR	50V B K 1000PF	
	C 706	GJ264141022199	C. CAPACITOR	50V B K 1000PF	
	C 707	GJ116221321	C.CAPACITOR	50V SL J 39PF	
	C 708	GJ116221121	C.CAPACITOR	50V SL J 33PF	
	C 709	GJ116220721	C.CAPACITOR	50V SL J 22PF	
	C 710	GJ116220721	C.CAPACITOR	50V SL J 22PF	
	C 711	GJ116220721	C.CAPACITOR	50V SL J 22PF	
	C 712	GJ116220721	C.CAPACITOR	50V SL J 22PF	
	C 713	GJ264291042101	C.CAPACITOR	0.1MF FF 50V	
	C 714	GJ264271032199	C. CAPACITOR	16V Y M 0.01UF	
	C 715	GJ264141022199	C.CAPACITOR	50V B K 1000PF	
	C 716	GJ270114760399	E. CAPACITOR	10V M 47UF 5X1	
	C 717	GJ264291042101	C.CAPACITOR	0.1MF FF 50V	
	C 718	GJ270192260399	E. CAPACITOR	50V M 22UF	
	C 719	GJ270192260399	E. CAPACITOR	50V M 22UF	
	C 720	GJ264141512199	C.CAPACITOR	50V B K 150PF	
	C 721	GJ264141512199	C.CAPACITOR	50V B K 150PF	
	C 723	GJ270191050399	E. CAPACITOR	50V VX M 1UF	
	C 736	GJ250031012199	CARBON RESISTOR	1/4WM J 100	
	C 737	GJ250031012199	E.CAPACITOR	1/4WM J 100	
	C 740	GJ264141012199	C.CAPACITOR	50V B K 100PF	
	C 791	GJ250031012199	E.CAPACITOR	1/4WM J 100	
	CN701	GJ340021120109	CONNECTOR	P=1.25MM 12PIN	
	CN702	GJ340021220109-	CONNECTOR	P=1.25MM 22PIN	
	CN703	GJ340021210102	CONNECTOR	P=1.25MM RA 21P	
	C1001	GJ264271032199	C.CAPACITOR	16V Y M 0.01UF	
	C1002	GJ264271032199	C.CAPACITOR	16V Y M 0.01UF	
	C1051	GJ264141022199	C.CAPACITOR	50V B K 1000PF	
	C1052	GJ264141022199	C.CAPACITOR	50V B K 1000PF	
	D 701	GJ310010220205	DIODE	1SS133T77	
	D 702	GJ310010220205	DIODE	1SS133T77	
	D 703	GJ310010220205	DIODE	1SS133T77	
	D 705	GJ310010220205	DIODE	1SS133T77	
	FF701	GJ353120270107	CABLE	CABLE FFC/FPC L	
	FF702	GJ353220180107	CABLE	CABLE FFC/FPC L	
	FF703	GJ353210180107	FFC CABLE	CABLE FFC/FPC L	
	FL701	GJ373020041000	DISPLAY	FL BJ828GNK	
	FW701	GJ353100200207	CABLE	CABLE FLAT P=2.	
	FW702	GJ353020100107	CABLE FLAT	CABLE FLAT P=2.	
	IC701	GJ313010663223	IC	MN101C35DYC1	
	IC702	GJ313040901006	IC		
	J1053	GJ342010240113	H/P JACK		
	L 701	GJ241112202102	INDUCTOR	22UH 10% Q40	
	L 702	GJ241111002102	INDUCTOR	10UH 5% Q40	
	L 703	GJ371010100005	F.BEAD INDUCTOR	LGK0305TBA	
	L 707	GJ241111002102	INDUCTOR	10UH 5% Q40	
	LED01	GJ374301012101	LED		
	L1051	GJ241114702102	INDUCTOR	47UH 10% Q40	
	L1052	GJ241114702102	INDUCTOR	47UH 10% Q40	
	L1053	GJ371010100005	F.BEAD INDUCTOR	LGK0305TBA	
	Q 701	GJ312030111210	TRANSISTOR	KTC3199TPGR	
	Q 702	GJ312030111210	TRANSISTOR	KTC3199TPGR	
	Q 703	GJ312030111210	TRANSISTOR	KTC3199TPGR	
	Q 704	GJ312030152210	TRANSISTOR	KTC3195(Y)	
	Q 705	GJ312030152210	TRANSISTOR	KTC3195(Y)	
	Q 707	GJ312010331203	TRANSISTOR	DTC114YSTP	
	Q 711	GJ312010461303	TRANSISTOR	DTA114YS	
	Q 712	GJ312010461303	TRANSISTOR	DTA114YS	
	Q 713	GJ312010331203	TRANSISTOR	DTC114YSTP	

△	Item	Parts number	Parts name	Remarks	Area
	Q 714	GJ312030111210	TRANSISTOR	KTC3199TPGR	
	Q 715	GJ312030111210	TRANSISTOR	KTC3199TPGR	
	R 701	GJ250034732199	CARBON RESISTOR	1/4WM J 47K	
	R 702	GJ250034732199	CARBON RESISTOR	1/4WM J 47K	
	R 703	GJ250034732199	CARBON RESISTOR	1/4WM J 47K	
	R 704	GJ250031032199	CARBON RESISTOR	1/4WM J 10K	
	R 705	GJ250031032199	CARBON RESISTOR	1/4WM J 10K	
	R 706	GJ250031032199	CARBON RESISTOR	1/4WM J 10K	
	R 707	GJ250031022199	CARBON RESISTOR	1/4WM J 1K	
	R 709	GJ250031022199	CARBON RESISTOR	1/4WM J 1K	
	R 710	GJ250031022199	CARBON RESISTOR	1/4WM J 1K	
	R 711	GJ250031022199	CARBON RESISTOR	1/4WM J 1K	
	R 712	GJ250031022199	CARBON RESISTOR	1/4WM J 1K	
	R 713	GJ250034732199	CARBON RESISTOR	1/4WM J 47K	
	R 714	GJ250032222199	CARBON RESISTOR	1/4WM J 2.2K	
	R 715	GJ250034732199	CARBON RESISTOR	1/4WM J 47K	
	R 716	GJ250032222199	CARBON RESISTOR	1/4WM J 2.2K	
	R 717	GJ250031022199	CARBON RESISTOR	1/4WM J 1K	
	R 718	GJ250031032199	CARBON RESISTOR	1/4WM J 10K	
	R 719	GJ250031022199	CARBON RESISTOR	1/4WM J 1K	
	R 720	GJ250031022199	CARBON RESISTOR	1/4WM J 1K	
	R 721	GJ250031022199	CARBON RESISTOR	1/4WM J 1K	
	R 722	GJ250031022199	CARBON RESISTOR	1/4WM J 1K	
	R 723	GJ250032212199	CARBON RESISTOR	1/4WM J 220	
	R 724	GJ250031022199	CARBON RESISTOR	1/4WM J 1K	
	R 725	GJ250033312199	CARBON RESISTOR	1/4WM J 330	
	R 727	GJ250031022199	CARBON RESISTOR	1/4WM J 1K	
	R 728	GJ250031022199	CARBON RESISTOR	1/4WM J 1K	
	R 729	GJ250031022199	CARBON RESISTOR	1/4WM J 1K	
	R 730	GJ250031022199	CARBON RESISTOR	1/4WM J 1K	
	R 731	GJ250031022199	CARBON RESISTOR	1/4WM J 1K	
	R 732	GJ250031022199	CARBON RESISTOR	1/4WM J 1K	
	R 733	GJ250034722199	CARBON RESISTOR	1/4WM J 4.7K	
	R 734	GJ250034722199	CARBON RESISTOR	1/4WM J 4.7K	
	R 738	GJ250032212199	CARBON RESISTOR	1/4WM J 220	
	R 739	GJ250032212199	CARBON RESISTOR	1/4WM J 220	
	R 740	GJ250032212199	CARBON RESISTOR	1/4WM J 220	
	R 741	GJ250033312199	CARBON RESISTOR	1/4WM J 330 T	
	R 742	GJ250032222199	CARBON RESISTOR	1/4WM J 2.2K	
	R 743	GJ250032222199	CARBON RESISTOR	1/4WM J 2.2K	
	R 744	GJ250032212199	CARBON RESISTOR	1/4WM J 220	
	R 745	GJ250032222199	CARBON RESISTOR	1/4WM J 2.2K	
	R 746	GJ250032222199	CARBON RESISTOR	1/4WM J 2.2K	
	R 747	GJ250032222199	CARBON RESISTOR	1/4WM J 2.2K	
	R 748	GJ250032222199	CARBON RESISTOR	1/4WM J 2.2K	
	R 749	GJ250034722199	CARBON RESISTOR	1/4WM J 4.7K	
	R 750	GJ250034722199	CARBON RESISTOR	1/4WM J 4.7K	
	R 751	GJ250034722199	CARBON RESISTOR	1/4WM J 4.7K	
	R 752	GJ250034722199	CARBON RESISTOR	1/4WM J 4.7K	
	R 753	GJ250032222199	CARBON RESISTOR	1/4WM J 2.2K	
	R 754	GJ250032222199	CARBON RESISTOR	1/4WM J 2.2K	
	R 755	GJ250032222199	CARBON RESISTOR	1/4WM J 2.2K	
	R 756	GJ250032222199	CARBON RESISTOR	1/4WM J 2.2K	
	R 757	GJ250031022199	CARBON RESISTOR	1/4WM J 1K	
	R 758	GJ250032222199	CARBON RESISTOR	1/4WM J 2.2K	
	R 759	GJ250032292199	CARBON RESISTOR	1/4WM J 2.2	
	R 760	GJ250032292199	CARBON RESISTOR	1/4WM J 2.2	
	R 761	GJ250034732199	CARBON RESISTOR	1/4WM J 47K	
	R 762	GJ250031032199	CARBON RESISTOR	1/4WM J 10K	
	R 768	GJ250031042199	CARBON RESISTOR	1/4WM J 100K	
	R 769	GJ250031022199	CARBON RESISTOR	1/4WM J 1K	
	R 770	GJ250032222199	CARBON RESISTOR	1/4WM J 2.2K	
	R 772	GJ250032222199	CARBON RESISTOR	1/4WM J 2.2K	

## ■ Electrical parts list (Control board)

Block No. 02

△	Item	Parts number	Parts name	Remarks	Area
	R 773	GJ250032222199	CARBON RESISTOR	1/4WM J 2.2K	
	R 774	GJ250031822199	CARBON RESISTOR	1/4WM J 1.8K	
	R 775	GJ250031022199	CARBON RESISTOR	1/4WM J 1K	
	R 776	GJ250031032199	CARBON RESISTOR	1/4WM J 10K	
	R 777	GJ250034732199	CARBON RESISTOR	1/4WM J 47K	
	R 778	GJ250031022199	CARBON RESISTOR	1/4WM J 1K	
	R 779	GJ250031032199	CARBON RESISTOR	1/4WM J 10K	
	R 780	GJ250032222199	CARBON RESISTOR	1/4WM J 2.2K	
	R 781	GJ250031022199	CARBON RESISTOR	1/4WM J 1K	
	R 782	GJ250032222199	CARBON RESISTOR	1/4WM J 2.2K	
	R 783	GJ250034732199	CARBON RESISTOR	1/4WM J 47K	
	R 784	GJ250032222199	CARBON RESISTOR	1/4WM J 2.2K	
	R 785	GJ250032222199	CARBON RESISTOR	1/4WM J 2.2K	
	R 786	GJ250031032199	CARBON RESISTOR	1/4WM J 10K	
	R 787	GJ250031032199	CARBON RESISTOR	1/4WM J 10K	
	R 788	GJ250031022199	CARBON RESISTOR	1/4WM J 1K	
	R 789	GJ250032222199	CARBON RESISTOR	1/4WM J 2.2K	
	R 790	GJ250031022199	CARBON RESISTOR	1/4WM J 1K	
	R 792	GJ250033312199	CARBON RESISTOR	1/4WM J 330	
	RA701	GJ250034732199	CARBON RESISTOR	1/4WM J 47K	
	RA702	GJ250034732199	CARBON RESISTOR	1/4WM J 47K	
	RA703	GJ250034732199	CARBON RESISTOR	1/4WM J 47K	
	RA704	GJ250034732199	CARBON RESISTOR	1/4WM J 47K	
	RA705	GJ250034732199	CARBON RESISTOR	1/4WM J 47K	
	RA706	GJ250034732199	CARBON RESISTOR	1/4WM J 47K	
	RA707	GJ250034732199	CARBON RESISTOR	1/4WM J 47K	
	RA708	GJ250034732199	CARBON RESISTOR	1/4WM J 47K	
	RA709	GJ250034732199	CARBON RESISTOR	1/4WM J 47K	
	RA710	GJ250034732199	CARBON RESISTOR	1/4WM J 47K	
	RA711	GJ250034732199	CARBON RESISTOR	1/4WM J 47K	
	RA712	GJ250034732199	CARBON RESISTOR	1/4WM J 47K	
	RA713	GJ250034732199	CARBON RESISTOR	1/4WM J 47K	
	RA714	GJ250034732199	CARBON RESISTOR	1/4WM J 47K	
	RA715	GJ250034732199	CARBON RESISTOR	1/4WM J 47K	
	RA716	GJ250034732199	CARBON RESISTOR	1/4WM J 47K	
	RA717	GJ250034732199	CARBON RESISTOR	1/4WM J 47K	
	RA718	GJ250034732199	CARBON RESISTOR	1/4WM J 47K	
	RA719	GJ250034732199	CARBON RESISTOR	1/4WM J 47K	
	RA720	GJ250034732199	CARBON RESISTOR	1/4WM J 47K	
	RA721	GJ250034732199	CARBON RESISTOR	1/4WM J 47K	
	RA722	GJ250034732199	CARBON RESISTOR	1/4WM J 47K	
	RA723	GJ250034732199	CARBON RESISTOR	1/4WM J 47K	
	RA724	GJ250034732199	CARBON RESISTOR	1/4WM J 47K	
	RA725	GJ250034732199	CARBON RESISTOR	1/4WM J 47K	
	RA726	GJ250034732199	CARBON RESISTOR	1/4WM J 47K	
	RA727	GJ250034732199	CARBON RESISTOR	1/4WM J 47K	
	RA728	GJ250034732199	CARBON RESISTOR	1/4WM J 47K	
	RA729	GJ250034732199	CARBON RESISTOR	1/4WM J 47K	
	R1001	GJ250036812199	CARBON RESISTOR	1/4WM J 680	
	R1002	GJ250036812199	CARBON RESISTOR	1/4WM J 680	
	R1003	GJ250038212199	CARBON RESISTOR	1/4WM J 820	
	R1004	GJ250031022199	CARBON RESISTOR	F 1/4WM J 1K	
	R1005	GJ250031522199	CARBON RESISTOR	1/4WM J 1.5K	
	R1006	GJ250031832199	CARBON RESISTOR	1/4WM J 18K	
	R1007	GJ250038222199	CARBON RESISTOR	1/4WM J 8.2K	
	R1008	GJ250036812199	CARBON RESISTOR	1/4WM J 680	
	R1009	GJ250036812199	CARBON RESISTOR	1/4WM J 680	
	R1010	GJ250036812199	CARBON RESISTOR	1/4WM J 680	
	R1011	GJ250038212199	CARBON RESISTOR	1/4WM J 820	
	R1012	GJ250031022199	CARBON RESISTOR	F 1/4WM J 1K	
	R1013	GJ250031522199	CARBON RESISTOR	1/4WM J 1.5K	
	R1014	GJ250032222199	CARBON RESISTOR	1/4WM J 2.2K	
	R1015	GJ250032722199	CARBON RESISTOR	1/4WM J 2.7K	

△	Item	Parts number	Parts name	Remarks	Area
	R1016	GJ250031832199	CARBON RESISTOR	1/4WM J 18K	
	R1017	GJ250036812199	CARBON RESISTOR	1/4WM J 680	
	R1018	GJ250036812199	CARBON RESISTOR	1/4WM J 680	
	R1019	GJ250038212199	CARBON RESISTOR	1/4WM J 820	
	R1020	GJ250031022199	CARBON RESISTOR	F 1/4WM J 1K	
	R1021	GJ250031522199	CARBON RESISTOR	1/4WM J 1.5K	
	R1022	GJ250032222199	CARBON RESISTOR	1/4WM J 2.2K	
	R1023	GJ250032722199	CARBON RESISTOR	1/4WM J 2.7K	
	R1024	GJ250035622199	CARBON RESISTOR	1/4WM J 5.6K	
	R1025	GJ250031232199	CARBON RESISTOR	1/4WM J 12K	
	R1026	GJ250036812199	CARBON RESISTOR	1/4WM J 680	
	R1027	GJ250036812199	CARBON RESISTOR	1/4WM J 680	
	R1028	GJ250038212199	CARBON RESISTOR	1/4WM J 820	
	R1029	GJ250031522199	CARBON RESISTOR	1/4WM J 1.5K	
	R1031	GJ250032222199	CARBON RESISTOR	1/4WM J 2.2K	
	R1032	GJ250032722199	CARBON RESISTOR	1/4WM J 2.7K	
	R1033	GJ250035622199	CARBON RESISTOR	1/4WM J 5.6K	
	R1034	GJ250031232199	CARBON RESISTOR	1/4WM J 12K	
	R1037	GJ250032232199	CARBON RESISTOR	1/4WM J 22K	
	R1038	GJ250032232199	CARBON RESISTOR	1/4WM J 22K	
	R1039	GJ250031242199	CARBON RESISTOR	1/4WM J 120K	
	R1040	GJ250031242199	CARBON RESISTOR	1/4WM J 120K	
	R1041	GJ250035632199	CARBON RESISTOR	1/4WM J 56K	
	R1042	GJ250035632199	CARBON RESISTOR	1/4WM J 56K	
	R1043	GJ250034732199	CARBON RESISTOR	1/4WM J 47K	
	R1047	GJ250034732199	CARBON RESISTOR	1/4WM J 47K	
	R1048	GJ250031032199	CARBON RESISTOR	1/4WM J 10K	
	R1060	GJ250034732199	CARBON RESISTOR	1/4WM J 47K	
	R1061	GJ250031022199	CARBON RESISTOR	1/4WM J 1K	
	R1062	GJ250032212199	CARBON RESISTOR	1/4WM J 220	
	R1063	GJ250032212199	CARBON RESISTOR	1/4WM J 220	
	R1064	GJ250031232199	CARBON RESISTOR	1/4WM J 12K	
	R1065	GJ250031022199	CARBON RESISTOR	1/4WM J 1K	
	R1066	GJ250031032199	CARBON RESISTOR	1/4WM J 10K	
	R1067	GJ250031022199	CARBON RESISTOR	1/4WM J 1K	
	R1068	GJ250031032199	CARBON RESISTOR	1/4WM J 10K	
	R1069	GJ250034732199	CARBON RESISTOR	1/4WM J 47K	
	R1070	GJ250034732199	CARBON RESISTOR	1/4WM J 47K	
	R1071	GJ250034732199	CARBON RESISTOR	1/4WM J 47K	
	R1072	GJ250034732199	CARBON RESISTOR	1/4WM J 47K	
	R1073	GJ250034732199	CARBON RESISTOR	1/4WM J 47K	
	R1074	GJ250034732199	CARBON RESISTOR	1/4WM J 47K	
	R1075	GJ250034732199	CARBON RESISTOR	1/4WM J 47K	
	S1001	GJ299000570003	VR ENCODER	EVEKD2F3024B	
	S1002	GJ390110181120	TACT SWITCH	(TAPE)	
	S1003	GJ390110181120	TACT SWITCH	(AUX)	
	S1004	GJ390110181120	TACT SWITCH	(BAND)	
	S1005	GJ390110181120	TACT SWITCH	(CANCEL)	
	S1006	GJ390110181120	TACT SWITCH	(SET)	
	S1007	GJ390110181120	TACT SWITCH	(CD)	
	S1008	GJ390110181120	TACT SWITCH	(CD1)	
	S1009	GJ390110181120	TACT SWITCH	(CD2)	
	S1010	GJ390110181120	TACT SWITCH	(CD3)	
	S1011	GJ390110181120	TACT SWITCH	(EJECT)	
	S1012	GJ390110181120	TACT SWITCH	(DISC)	
	S1013	GJ390110181120	TACT SWITCH	(DECK A/B)	
	S1014	GJ390110181120	TACT SWITCH	(TIM/CLK)	
	S1015	GJ390110181120	TACT SWITCH	(STOP)	
	S1016	GJ390110181120	TACT SWITCH	(TUN+)	
	S1017	GJ390110181120	TACT SWITCH	(TUN)	
	S1018	GJ390110181120	TACT SWITCH	(PRESET)	
	S1019	GJ390110181120	TACT SWITCH	(PRESET+)	
	S1020	GJ390110181120	TACT SWITCH	(ROCK)	



## ■ Electrical parts list (Control board)

Block No. 02

△	Item	Parts number	Parts name	Remarks	Area
	S1021	GJ390110181120	TACT SWITCH	(CLASSIC)	
	S1022	GJ390110181120	TACT SWITCH	(POP)	
	S1023	GJ390110181120	TACT SWITCH	TACT SWITCH (A.	
	S1024	GJ390110181120	TACT SWITCH	(ECO)	
	S1025	GJ390110181120	TACT SWITCH	(REC)	
	S1026	GJ390110181120	TACT SWITCH	(DUBBING)	
	S1027	GJ390110181120	TACT SWITCH	(CD REC)	
	S1028	GJ390110181120	TACT SWITCH	(REPEAT)	
	S1029	GJ390110181120	TACT SWITCH	(PROGRAM)	
	S1030	GJ390110181120	TACT SWITCH	(RANDOM)	
	S1031	GJ390110181120	TACT SWITCH	(DISPLAY)	
	S1032	GJ390110181120	TACT SWITCH	(PTY/EON)	
	S1033	GJ390110181120	TACT SWITCH	(SELECT+)	
	S1034	GJ390110181120	TACT SWITCH	(SELECT)	
	W1101	GJ353040370107	CABLE		
	X 701	GJ362000370001	CRYSTAL	CSA8.00MTZ 200	
	X 702	GJ361000230009	CRYSTAL	32.768KHZ DT38	

## ■ Electrical parts list (Amplifier board)

Block No. 03

△	Item	Parts number	Parts name	Remarks	Area	△	Item	Parts number	Parts name	Remarks	Area
	C 118	GJ270144750399	E. CAPACITOR	25V VX M 4.7UF			D 906	GJ310020020104	DIODE	1N4001	
	C 119	GJ116229021	C. CAPACITOR	50V B K 470PF			D 907	GJ310030018905	DIODE	MTZJT7733C	
	C 120	GJ264142212199	C. CAPACITOR	50V B K 220PF			D 908	GJ310030011105	DIODE	MTZJT776.2A	
	C 121	GJ270194760399	E. CAPACITOR	50V VX M 47UF			D 909	GJ310010220205	DIODE	1SS133T77	
	C 123	GJ116219921	C. CAPACITOR	50V SL J 10PF			D 911	GJ310030012205	ZENER DIODE	MTZJT775.6A	
	C 125	GJ283101042415	P. CAPACITOR	50V K 0.1UF T			D 912	GJ310030133305	DIODE	MTZJT7712C	
	C 126	GJ283101042415	P. CAPACITOR	50V K 0.1UF T			D 913	GJ310030015805	DIODE	MTZJT7711B	
	C 218	GJ270144750399	E. CAPACITOR	25V VX M 4.7UF			D 915	GJ310030012705	DIODE	MTZJT776.8B	
	C 219	GJ116229021	C. CAPACITOR	50V B K 470PF			D 916	GJ310010220205	DIODE	1SS133T77	
	C 220	GJ264142212199	C. CAPACITOR	50V B K 220PF			△ IC304	GJ313040571406	IC	STK402070	
	C 221	GJ270191070399	E. CAPACITOR	50V M 100UF			J 303	GJ342020150913	SPK JACK	4PINS RED/BLACK	
	C 223	GJ116219921	C. CAPACITOR	50V SL J 10PF			L 101	GJ320080170105	COIL SPRING	10X19.5TX0.8MM	
	C 225	GJ283101042415	P. CAPACITOR	50V K 0.1UF T			L 201	GJ320080170105	COIL SPRING	10X19.5TX0.8MM	
	C 226	GJ283101042415	P. CAPACITOR	50V K 0.1UF T			L 391	GJ371010100005	BEAD FERRITE	LGK0305TBA	
	C 351	GJ270141060399	E. CAPACITOR	25V VX M 10UF			L 392	GJ371010100005	BEAD FERRITE	LGK0305TBA	
	C 352	GJ270191050399	E. CAPACITOR	50V VX M 1UF			Q 103	GJ312030111210	TRANSISTOR	KTC3199TPGR	
	C 353	GJ270124760399	E. CAPACITOR	16V VX M 47UF			Q 104	GJ312011231210	TRANSISTOR	KTA1267Y (TAPE	
	C 354	GJ270122260399	E. CAPACITOR	16V VX M 22UF			Q 105	GJ312030111210	TRANSISTOR	KTC3199TPGR	
	C 355	GJ270141060399	E. CAPACITOR	25V VX M 10UF			Q 203	GJ312030111210	TRANSISTOR	KTC3199TPGR	
	C 381	GJ116259621	C. CAPACITOR	25V F Z 0.022U			Q 204	GJ312011231210	TRANSISTOR	KTA1267Y (TAPE	
	C 390	GJ270112270399	E. CAPACITOR	10V VX M 220UF			Q 205	GJ312030111210	TRANSISTOR	KTC3199TPGR	
	C 391	GJ264263322199	C. CAPACITOR	16V X M 3300PF			Q 307	GJ312030111210	TRANSISTOR	KTC3199TPGR	
	C 392	GJ264263322199	C. CAPACITOR	16V X M 3300PF			Q 331	GJ312030131210	TRANSISTOR	KTC3200 (GR) T	
	C 393	GJ264141022199	C. CAPACITOR	50V B K 1000PF			Q 332	GJ312011911210	TRANSISTOR	KTA1268(GR) (TA	
	C 394	GJ264141022199	C. CAPACITOR	50V B K 1000PF			Q 333	GJ312010331203	TRANSISTOR	DTC114YSTP	
	C 901	GJ283106832415	P. CAPACITOR	50V K 0.068UF			Q 334	GJ312010461303	TRANSISTOR	DTA114YS	
	C 902	GJ283106832415	P. CAPACITOR	50V K 0.068UF			Q 335	GJ312010461303	TRANSISTOR	DTA114YS	
	C 903	GJ283106832415	P. CAPACITOR	50V K 0.068UF			Q 336	GJ312030111210	TRANSISTOR	KTC3199TPGR	
	C 904	GJ283106832415	P. CAPACITOR	50V K 0.068UF			Q 337	GJ312030111210	TRANSISTOR	KTC3199TPGR	
△	C 905	GJ270193380699	E. CAPACITOR	50V SM M 3300UF			Q 338	GJ312030111210	TRANSISTOR	KTC3199TPGR	
△	C 906	GJ270193380699	E. CAPACITOR	50V SM M 3300UF			Q 339	GJ312010331203	TRANSISTOR	DTC114YSTP	
	C 907	GJ264291042101	C. CAPACITOR	0.1MF FF 50V			Q 901	GJ312090191203	TRANSISTOR	2SA934R	
	C 908	GJ264291042101	C. CAPACITOR	0.1MF FF 50V		△	Q 904	GJ312011241210	TRANSISTOR	KTB1366Y (TAPE	
	C 909	GJ264291042101	C. CAPACITOR	0.1MF FF 50V			Q 905	GJ312030111210	TRANSISTOR	KTC3199TPGR	
	C 910	GJ264291042101	C. CAPACITOR	0.1MF FF 50V			Q 906	GJ312030111210	TRANSISTOR	KTC3199TPGR	
	C 911	GJ270144780199	E. CAPACITOR	25V M 4700UF			Q 907	GJ312011241210	TRANSISTOR	KTB1366Y (TAPE	
	C 912	GJ270304760399	E. CAPACITOR	63V VX M 47UF			Q 908	GJ312011231210	TRANSISTOR	KTA1267Y (TAPE	
	C 913	GJ270192260399	E. CAPACITOR	50V VX M 22UF			Q 909	GJ312010461303	TRANSISTOR	DTA114YS	
	C 914	GJ264271032199	C. CAPACITOR	16V Y M 0.01UF			Q 910	GJ312010331203	TRANSISTOR	DTC114YSTP	
	C 915	GJ270192260399	E. CAPACITOR	50V VX M 22UF			Q 911	GJ312030111210	TRANSISTOR	KTC3199TPGR	
	C 916	GJ270141060399	E. CAPACITOR	25V VX M 10UF			Q 912	GJ312010331203	TRANSISTOR	DTC114YSTP	
	C 918	GJ264271032199	C. CAPACITOR	16V Y M 0.01UF			R 117	GJ250032222199	CARBON RESISTOR	1/4WM J 2.2K	
	C 919	GJ270111070399	E. CAPACITOR	10V VX M 100UF			R 118	GJ250034722199	CARBON RESISTOR	1/4WM J 4.7K	
	C 920	GJ264141042199	C. CAPACITOR	50V K B 0.1MF			R 119	GJ250031032199	CARBON RESISTOR	1/4WM J 10K	
	C 921	GJ270121070399	E. CAPACITOR	16V VX M 100UF			R 120	GJ250035632199	CARBON RESISTOR	1/4WM J 56K	
	C 922	GJ270141060399	E. CAPACITOR	25V VX M 10UF			R 121	GJ250031522199	CARBON RESISTOR	1/4WM J 1.5K	
	CN111	GJ340072040102	CONNECTOR	WIRE TRAP ST 4P			R 123	GJ250034732199	CARBON RESISTOR	1/4WM J 47K	
	CN901	GJ340022120109	CONNECTOR	12PIN P=1.25MM			R 124	GJ250031522199	CARBON RESISTOR	1/4WM J 1.5K	
	CN902	GJ340072040102	CONNECTOR	4PIN P=2.5MM			△ R 125	GJ259222281709	OMF RESISTOR	2W K 0.22	
	CN951	GJ340072050102	CONNECTOR	5PIN P=2.5MM			△ R 126	GJ259222281709	OMF RESISTOR	2W K 0.22	
	CN981	GJ340022040102	CONNECTOR	P=1.25MM 4PIN			R 127	GJ255051511699	FUSE RESISTOR	1/4W J 150 BUL	
	D 304	GJ310010220205	DIODE	1SS133T77			R 128	GJ250032202199	CARBON RESISTOR	1/4WM J 22	
	D 305	GJ686062350000	JUMPER	B.WIRE DIA=0.6M			R 129	GJ250032202199	CARBON RESISTOR	1/4WM J 22	
	D 317	GJ310010220205	DIODE	1SS133T77			R 130	GJ250032202199	CARBON RESISTOR	1/4WM J 22	
	D 318	GJ310010220205	DIODE	1SS133T77			R 131	GJ250031032199	CARBON RESISTOR	1/4WM J 10K	
	D 325	GJ310010220205	DIODE	1SS133T77			△ R 132	GJ255053911699	FUSE RESISTOR	1/4W J 390 BUL	
	D 326	GJ310010220205	DIODE	1SS133T77			△ R 133	GJ255053911699	FUSE RESISTOR	1/4W J 390 BUL	
	D 327	GJ310010220205	DIODE	1SS133T77			R 134	GJ250031032199	CARBON RESISTOR	1/4WM J 10K	
△	D 901	GJ310020320223	DIODE	TS6B02G (RECIF			R 136	GJ250031022199	CARBON RESISTOR	1/4WM J 1K	
△	D 902	GJ310020020104	DIODE	1N4001			R 137	GJ250031042199	CARBON RESISTOR	1/4WM J 100K	
△	D 903	GJ310020020104	DIODE	1N4001			R 138	GJ250031022199	CARBON RESISTOR	1/4WM J 1K	
△	D 904	GJ310020020104	DIODE	1N4001			R 139	GJ250031032199	CARBON RESISTOR	1/4WM J 10K	
△	D 905	GJ310020020104	DIODE	1N4001			R 151	GJ250031532199	CARBON RESISTOR	1/4WM J 15	

## ■ Electrical parts list (Ampifier board)

Block No. 03

△	Item	Parts number	Parts name	Remarks	Area
	R 152	GJ250032202199	CARBON RESISTOR	1/4WM J 22	
	R 217	GJ250032222199	CARBON RESISTOR	1/4WM J 2.2K	
	R 218	GJ250034722199	CARBON RESISTOR	1/4WM J 4.7K	
	R 219	GJ250031032199	CARBON RESISTOR	1/4WM J 10K	
	R 220	GJ250035632199	CARBON RESISTOR	1/4WM J 56K	
	R 221	GJ250031522199	CARBON RESISTOR	1/4WM J 1.5K	
	R 223	GJ250034732199	CARBON RESISTOR	1/4WM J 47K	
	R 224	GJ250031522199	CARBON RESISTOR	1/4WM J 1.5K	
△	R 225	GJ259222281709	OMF RESISTOR	2W K 0.22	
△	R 226	GJ259222281709	OMF RESISTOR	2W K 0.22	
	R 227	GJ255051511699	FUSE RESISTOR	1/4W J 150 BUL	
	R 228	GJ250032202199	CARBON RESISTOR	1/4WM J 22	
	R 229	GJ250032202199	CARBON RESISTOR	1/4WM J 22	
	R 230	GJ250032202199	CARBON RESISTOR	1/4WM J 22	
	R 231	GJ250031032199	CARBON RESISTOR	1/4WM J 10K	
△	R 232	GJ255053911699	FUSE RESISTOR	1/4W J 390 BULK	
△	R 233	GJ255053911699	FUSE RESISTOR	1/4W J 390 BUL	
	R 234	GJ250031032199	CARBON RESISTOR	1/4WM J 10K	
	R 235	GJ250031032199	CARBON RESISTOR	1/4WM J 10K	
	R 236	GJ250031022199	CARBON RESISTOR	1/4WM J 1K	
	R 237	GJ250031042199	CARBON RESISTOR	1/4WM J 100K	
	R 238	GJ250031022199	CARBON RESISTOR	1/4WM J 1K	
	R 239	GJ250031032199	CARBON RESISTOR	1/4WM J 10K	
	R 250	GJ250032202199	CARBON RESISTOR	1/4WM J 22	
	R 251	GJ250031532199	CARBON RESISTOR	1/4WM J 15	
	R 313	GJ250034712199	CARBON RESISTOR	1/4WM J 470	
	R 314	GJ250034742199	CARBON RESISTOR	1/4WM J 470K	
	R 315	GJ250032222199	CARBON RESISTOR	1/4WM J 2.2K	
	R 381	GJ250031042199	CARBON RESISTOR	1/4WM J 100K	
	R 382	GJ250032232199	CARBON RESISTOR	1/4WM J 22K	
	R 383	GJ250034732199	CARBON RESISTOR	1/4WM J 47K	
	R 384	GJ250031032199	CARBON RESISTOR	1/4WM J 10K	
	R 385	GJ250031042199	CARBON RESISTOR	1/4WM J 100K	
	R 386	GJ250031002199	CARBON RESISTOR	1/4WM J 10	
	R 387	GJ250031502199	CARBON RESISTOR	1/4WM J 15	
	R 388	GJ250032222199	CARBON RESISTOR	1/4WM J 2.2K	
	R 389	GJ250031032199	CARBON RESISTOR	1/4WM J 10K	
	R 390	GJ250035612199	CARBON RESISTOR	1/4WM J 560	
	R 391	GJ250032222199	CARBON RESISTOR	1/4WM J 2.2K	
	R 901	GJ250034722199	CARBON RESISTOR	1/4WM J 4.7K	
△	R 902	GJ255051011699	FUSE RESISTOR.	1/4W J 100 KIC	
	R 903	GJ250032222199	CARBON RESISTOR	1/4WM J 2.2K	
	R 904	GJ250031012199	CARBON RESISTOR	1/4WM J 100	
	R 905	GJ250031012199	CARBON RESISTOR	1/4WM J 100	
	R 906	GJ250031032199	CARBON RESISTOR	1/4WM J 10K	
△	R 908	GJ255052291699	FUSE RESISTOR	1/4W J 2.2 OHM	
	R 909	GJ250034732199	CARBON RESISTOR	1/4WM J 47K	
	R 910	GJ250032232199	CARBON RESISTOR	1/4WM J 22K	
	R 911	GJ250033322199	CARBON RESISTOR	1/4WM J 3.3K	
	R 912	GJ250034712199	CARBON RESISTOR	1/4WM J 470	
	R 913	GJ250034712199	CARBON RESISTOR	1/4WM J 470	
	R 914	GJ250031092199	CARBON RESISTOR	1/4WM J 1	
	R 915	GJ250031092199	CARBON RESISTOR	1/4WM J 1	
	R 916	GJ250031092199	CARBON RESISTOR	1/4WM J 1	
	R 917	GJ250031022199	CARBON RESISTOR	1/4WM J 1K	
	RY301	GJ391000080002	E.CAPACITOR	RELAY (12V) OSA	

■ Electrical parts list (Power supply board) Block No. 04

△	Item	Parts number	Parts name	Remarks	Area
	C 1	GJ270104763399	E. CAPACITOR	47MF 6.3V	
	C 2	GJ215521042499	CHIP CAPACITOR	2125 25V F Z 0	
	C 3	GJ213731012499	CHIP CAPACITOR	2125 50V CH J 1	
	C 4	GJ213731012499	CHIP CAPACITOR	2125 50V CH J	
	C 5	GJ215521042499	CHIP CAPACITOR	2125 25V F Z 0	
	D 1	GJ374502042103	LED	INFRARED LED SI	
△	F 952	GJ369000630009	FUSE	1.6A 250V	
	FW951	GJ353090190107	CABLE FLAT	CABLE FLAT 9PIN	
	HF952	GJ153321741	FUSE HOLDER	FUSE HOLDER	
	IC 1	GJ313060851302	SOLDERRING	UPD6134MC1145A	
	J 1	GJ121629691	CHIP RESISTOR	0 OHM (3216)	
	Q 1	GJ312010941203	TRANSISTOR	2SD1781KQ	
	R 1	GJ200151092499	CHIP RESISTOR.	3216 1/8W J 1	
	R 2	GJ200052702499	CHIP RESISTOR.	2012 1/10W J27	
	TB901	GJ727000010000	SOLDERRING	SOLDERING TAPIN	
	TB902	GJ727000010000	SOLDERRING	SOLDERING TAPIN	
	X 1	GJ362000020002	C.RESONATOR	CSB455E	

# Packing materials and accessories parts list

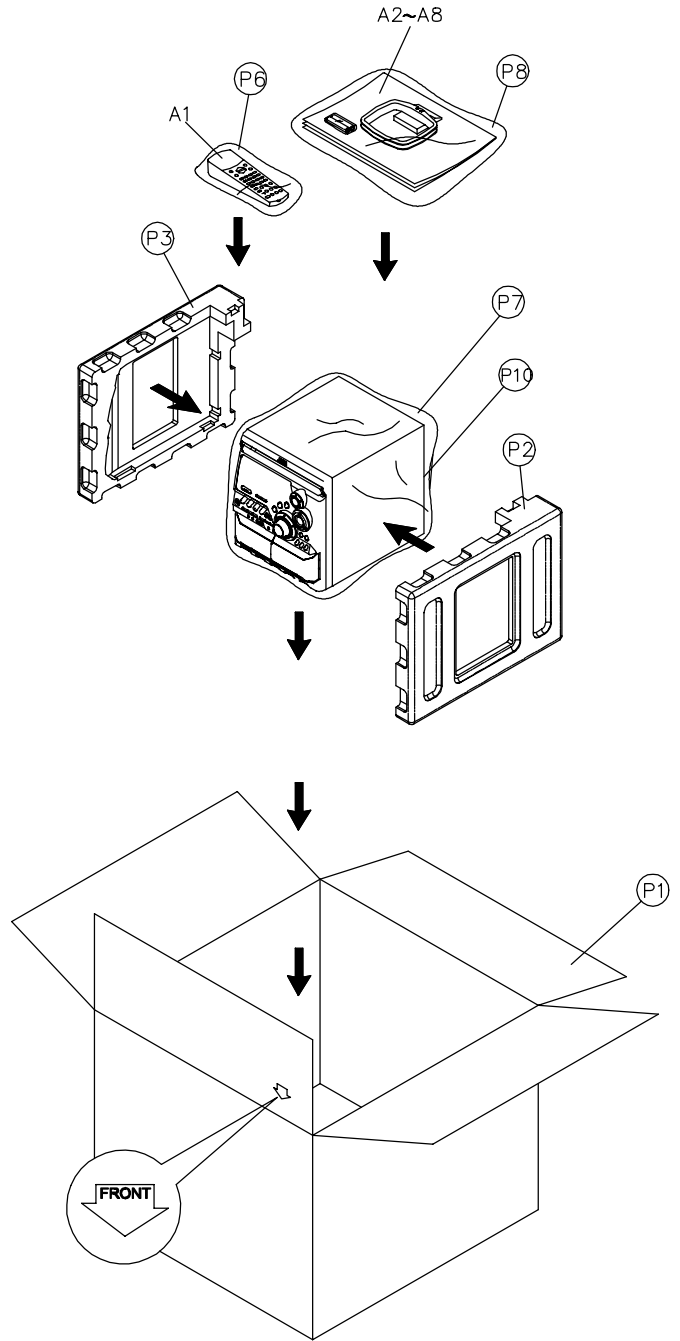
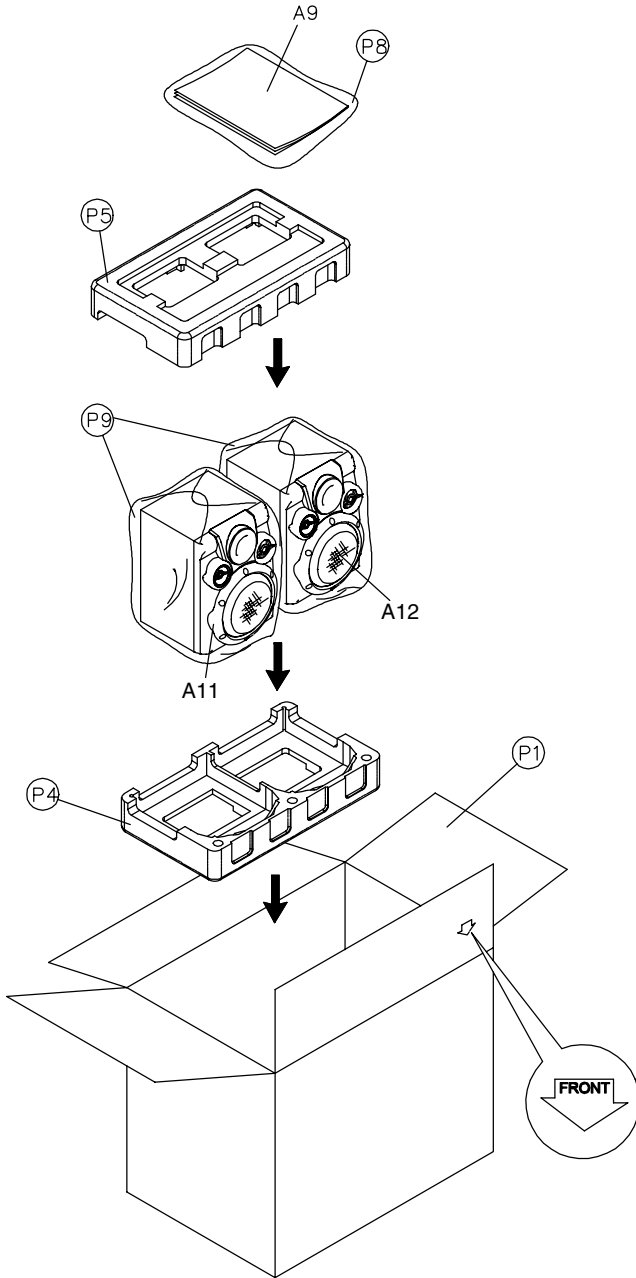
Block No. 

M	4	M	M
---	---	---	---

Block No. 

M	5	M	M
---	---	---	---

B/E/EN/EV Version



# Packing materials and accessories parts list

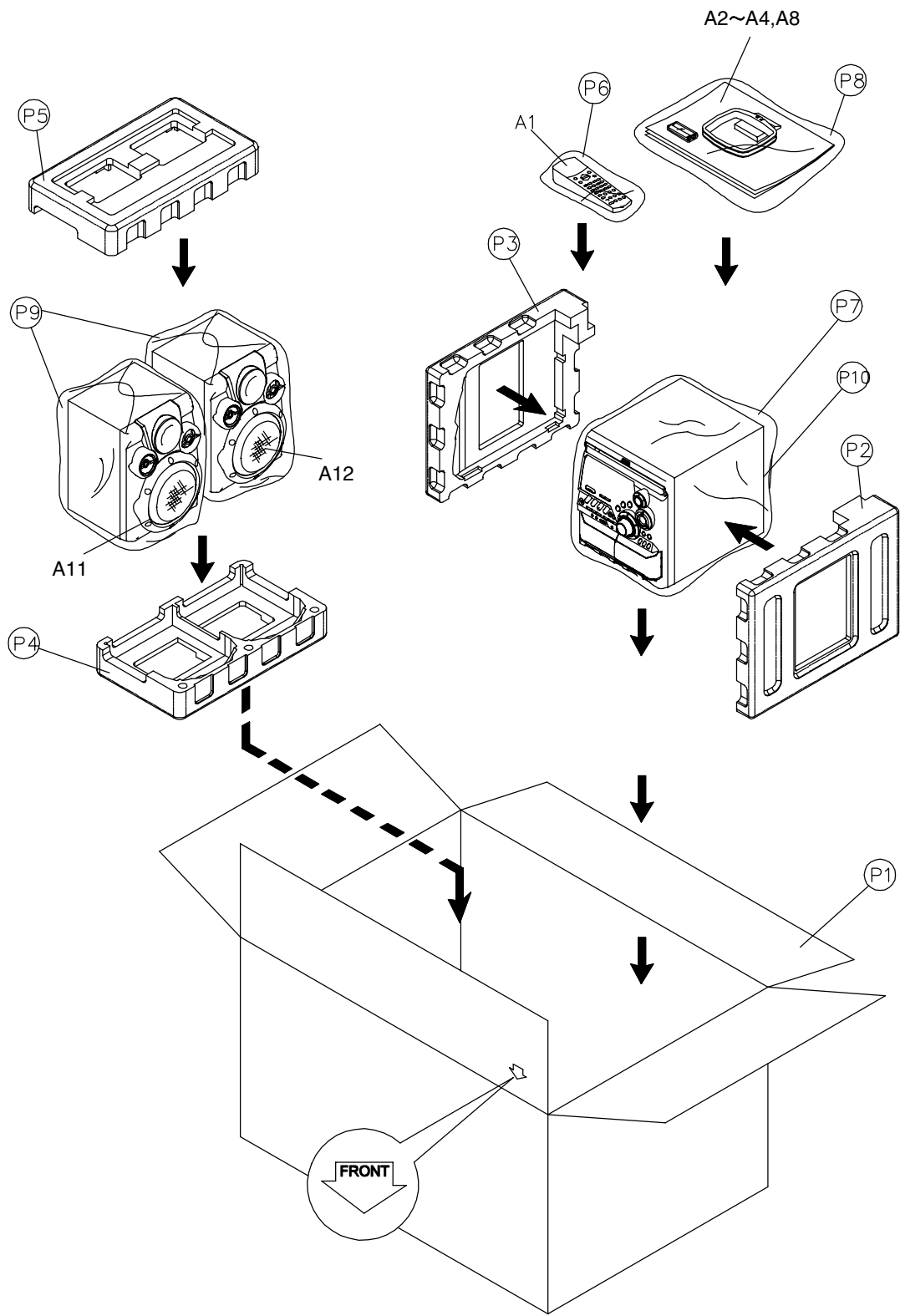
Block No. 

M	4	M	M
---	---	---	---

Block No. 

M	5	M	M
---	---	---	---

EE Version



**Parts list (Packing)**

Block No. M4MM

△	Item	Parts number	Parts name	Q'ty	Description	Area
	P 1	GJ560531100101	CARTON	1	FOR SPEAKER	B E EN EV
		GJ560531700101	CARTON	1	FOR UNIT	B E EN EV
		GJ560533500101	CARTON	1	FOR UNIT	EE
	P 2	GJ560531300101	SIDE CUSHION	1	RIGHT	EE
		GJ560531500101	SIDE CUSHION	1	RIGHT	B E EN EV
	P 3	GJ560531400101	SIDE CUSHION	1	LEFT	B E EN EV
		GJ560531200101	SIDE CUSHION	1	LEFT	EE
	P 4	GJ560531000101	POLY FORM	1	BOTTOM	
	P 5	GJ560530900101	POLY FORM	1	TOP	
	P 6	GJ740082550400	POLY BAG	1		
	P 7	GJ740707020300	POLYBAG	1		
	P 8	GJ740362550000	POLY BAG	2		
	P 9	GJ740486230300	POLY BAG	2		
	P 10	GJ740122550000	POLY BAG	1		

**Parts list (Accessories)**

Block No. M5MM

△	Item	Parts number	Parts name	Q'ty	Description	Area
	A 1	GJA1002034001C	REMOCON	1		EE EV
		GJA1002033001C	REMOCON	1		B E EN
	A 2	GLA2052001001C	AM LOOP ANTENNA	1	HST-D4A	
	A 3	GJ396000050006	BATTERY	1	R6SPTT/2STA	
	A 4	GJ773012870101	INST.BOOK	1	POL HUN CZE	EV
		GJ773012860101	INST.BOOK	1	RUS	EE
		GJ773012730101	INST.BOOK	1	FRE GER DUT	E
		GJ773012850101	INST.BOOK	1	GER FRE SPA ITA SWE FIN DAN	EN
		GJ773012740101	INST.BOOK	1	ENG	B
	A 6	GJ775000230101	SAFETY INST	1		B
	A 7	GJ775000610101	REGISTRATIONH C	1		B
	A 8	GJ773030360102	WARRANTY CARD	1		EE EV
		GJ773030350302	WARRANTY CARD	1		B E EN
	A 9	GJ773012500101	SPEAKER MANUAL	1		B E EN EV
	A 10	GJ351001432431	FM ANTENNA	1		
	A 11	MXK3R-SPBOX-L	SPEAKER BOX L	1		
	A 12	MXK3R-SPBOX-R	SPEAKER BOX R	1		